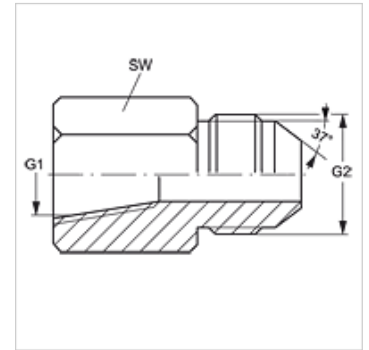


Eigenschappen

Aansluiting 1	NPT-binnendraad
Afdichtingsvorm 1	draaddichtend
Aansluiting 2	UN/UNF-buitendraad
Afdichtingsvorm 2	74° buitenconus
Constructie	Verbindings-sok
Uitvoering	recht
Materiaal	Staal
Oppervlakbescherming	Galvanisch gecoat



Artikel

Aanduiding	G1	G2	SW (mm)
G IN 02 HJ 04	1/8" -27 NPT	7/16" -20 UNF	14
G IN 02 HJ 05	1/8" -27 NPT	1/2" -20 UNF	14
G IN 04 HJ	1/4" -18 NPT	7/16" -20 UNF	19
G IN 04 HJ 05	1/4" -18 NPT	1/2" -20 UNF	19
G IN 04 HJ 06	1/4" -18 NPT	9/16" -18 UNF	19
G IN 04 HJ 08	1/4" -18 NPT	3/4" -16 UNF	21
G IN 06 HJ	3/8" -18 NPT	9/16" -18 UNF	22
G IN 06 HJ 08	3/8" -18 NPT	3/4" -16 UNF	22
G IN 06 HJ 10	3/8" -18 NPT	7/8" -14 UNF	29
G IN 08 HJ	1/2" -14 NPT	3/4" -16 UNF	29
G IN 08 HJ 10	1/2" -14 NPT	7/8" -14 UNF	29
G IN 08 HJ 12	1/2" -14 NPT	1.1/16" -12 UN	29
G IN 12 HJ	3/4" -14 NPT	1.1/16" -12 UN	35
G IN 12 HJ 14	3/4" -14 NPT	1.3/16" -12 UN	35
G IN 16 HJ	1" -11,5 NPT	1.5/16" -12 UN	41
G IN 20 HJ	1.1/4" -11,5 NPT	1.5/8" -12 UN	50
G IN 24 HJ	1.1/2" -11,5 NPT	1.7/8" -12 UN	60
G IN 32 HJ	2" -11,5 NPT	2.1/2" -12 UN	73

SW = sleutelmaat

Productvarianten

G IN HJ VA Verbindingsok, RVS