

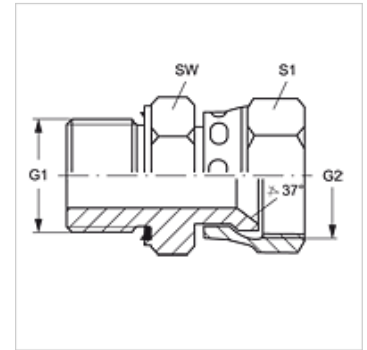
GE HRED AJ

Inschroefsok

HANSA FLEX

Eigenschappen

| | |
|----------------------|-----------------------------|
| Aansluiting 1 | BSP-buitendraad cilindrisch |
| Afdichtingsvorm 1 | Vorm E |
| Aansluiting 2 | UN/UNF-moerdraad |
| Afdichtingsvorm 2 | 74° binnenconus |
| Constructie | Inschroefsok |
| Uitvoering | recht |
| Materiaal | Staal |
| Oppervlakbescherming | Galvanisch gecoat |



Artikel

| Aanduiding | G1 | G2 | SW (mm) | S1 |
|------------------|--------------|----------------|------------|----|
| GE HRED 02 AJ 04 | G 1/8" -28 | 7/16" -20 UNF | 14 | 14 |
| GE HRED 02 AJ 05 | G 1/8" -28 | 1/2" -20 UNF | 14 | 17 |
| GE HRED 04 AJ 05 | G 1/4" -19 | 1/2" -20 UNF | 19 | 17 |
| GE HRED 04 AJ 06 | G 1/4" -19 | 9/16" -18 UNF | 19 | 19 |
| GE HRED 04 AJ 08 | G 1/4" -19 | 3/4" -16 UNF | 19 | 22 |
| GE HRED 06 AJ | G 3/8" -19 | 9/16" -18 UNF | 22 | 19 |
| GE HRED 06 AJ 08 | G 3/8" -19 | 3/4" -16 UNF | 22 | 22 |
| GE HRED 06 AJ 10 | G 3/8" -19 | 7/8" -14 UNF | 27 | 27 |
| GE HR ED 08 AJ | G 1/2" -14 | 3/4" -16 UNF | 27 | 22 |
| GE HRED 08 AJ 10 | G 1/2" -14 | 7/8" -14 UNF | 27 | 27 |
| GE HRED 08 AJ 12 | G 1/2" -14 | 1.1/16" -12 UN | 27 | 32 |
| GE HRED 12 AJ | G 3/4" -14 | 1.1/16" -12 UN | 32 | 32 |
| GE HRED 12 AJ 16 | G 3/4" -14 | 1,5/16" -12 UN | 32 | 41 |
| GE HRED 16 AJ | G 1" -11 | 1,5/16" -12 UN | 41 | 41 |
| GE HRED 16 AJ 20 | G 1" -11 | 1,5/8" -12 UN | 41 | 50 |
| GE HRED 20 AJ | G 1,1/4" -11 | 1,5/8" -12 UN | 50 | 50 |
| GE HRED 20 AJ 24 | G 1,1/4" -11 | 1,7/8" -12 UN | 50 | 60 |
| GE HRED 24 AJ | G 1,1/2" -11 | 1,7/8" -12 UN | 55 | 60 |

SW, S1, S2 = sleutelmaat

Productvarianten

GE HRED AJ VA Inschroefsok, RVS

Reserveonderdelen

WD Zachte afdichting voor ED-schroefverbindingen