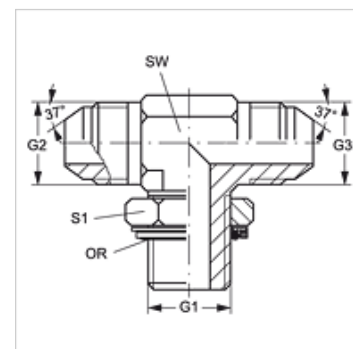


# T HMOK HJ

## Inschroefsoek, T-vorm

### Eigenschappen

|                              |                                    |
|------------------------------|------------------------------------|
| <b>Aansluiting 1</b>         | Metrische buitendraad cilindrisch  |
| <b>Afdichtingsvorm 1</b>     | Draadsok met O-ring + kammerring   |
| <b>Aansluiting 2 + 3</b>     | UN/UNF-buitendraad                 |
| <b>Afdichtingsvorm 2 + 3</b> | 74° buitenconus                    |
| <b>Constructie</b>           | Inschroef-soek richting instelbaar |
| <b>Uitvoering</b>            | T-vorm                             |
| <b>Materiaal</b>             | Staal                              |
| <b>Oppervlakbescherming</b>  | Galvanisch gecoat                  |



### Artikel

| Aanduiding      | G1         | G2 + G3        | SW<br>(mm) | S1 | OR           |
|-----------------|------------|----------------|------------|----|--------------|
| T HMOK 10 HJ 04 | M 10 x 1   | 7/16" -20 UNF  | 11         | 13 | 8,00 x 1,50  |
| T HMOK 10 HJ 05 | M 10 x 1   | 1/2" -20 UNF   | 13         | 14 | 8,00 x 1,50  |
| T HMOK 12 HJ 04 | M 12 x 1,5 | 7/16" -20 UNF  | 13         | 17 | 9,25 x 1,78  |
| T HMOK 12 HJ 05 | M 12 x 1,5 | 1/2" -20 UNF   | 13         | 17 | 9,25 x 1,78  |
| T HMOK 14 HJ 05 | M 14 x 1,5 | 1/2" -20 UNF   | 14         | 17 | 10,82 x 1,78 |
| T HMOK 14 HJ 06 | M 14 x 1,5 | 9/16" -18 UNF  | 14         | 17 | 10,82 x 1,78 |
| T HMOK 16 HJ 06 | M 16 x 1,5 | 9/16" -18 UNF  | 19         | 22 | 13,46 x 2,08 |
| T HMOK 16 HJ 08 | M 16 x 1,5 | 3/4" -16 UNF   | 19         | 19 | 13,46 x 2,08 |
| T HMOK 18 HJ 06 | M 18 x 1,5 | 9/16" -18 UNF  | 19         | 24 | 15,54 x 2,62 |
| T HMOK 18 HJ 10 | M 18 x 1,5 | 7/8" -14 UNF   | 22         | 24 | 15,54 x 2,62 |
| T HMOK 22 HJ 10 | M 22 x 1,5 | 7/8" -14 UNF   | 22         | 27 | 18,77 x 1,78 |
| T HMOK 22 HJ 12 | M 22 x 1,5 | 1.1/16" -12 UN | 27         | 27 | 18,77 x 1,78 |
| T HMOK 27 HJ 12 | M 27 x 2   | 1.1/16" -12 UN | 27         | 32 | 23,47 x 2,62 |
| T HMOK 27 HJ 16 | M 27 x 2   | 1,5/16" -12 UN | 33         | 32 | 23,47 x 2,62 |
| T HMOK 33 HJ 16 | M 33 x 2   | 1,5/16" -12 UN | 33         | 38 | 28,24 x 2,62 |
| T HMOK 42 HJ 20 | M 42 x 2   | 1,5/8" -12 UN  | 41         | 50 | 37,77 x 2,62 |
| T HMOK 48 HJ 24 | M 48 x 2   | 1,7/8" -12 UN  | 48         | 55 | 44,12 x 2,62 |

SW, S1, S2 = sleutelmaat

### Reserveonderdelen

**KAMMRING M** Kamerring, metrisch