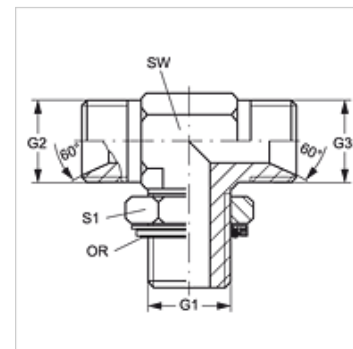


# T HROK HB

## Inschroefsoek, T-vorm

### Eigenschappen

<b>Aansluiting 1</b>	BSP-buitendraad cilindrisch
<b>Afdichtingsvorm 1</b>	Draadsok met O-ring + kammerring
<b>Aansluiting 2 + 3</b>	BSP-buitendraad cilindrisch
<b>Afdichtingsvorm 2 + 3</b>	60° binnenconus
<b>Constructie</b>	Inschroef-sock richting instelbaar
<b>Uitvoering</b>	T-vorm
<b>Materiaal</b>	Staal
<b>Oppervlakbescherming</b>	Galvanisch gecoat



### Artikel

Aanduiding	G1	G2 + G3	SW (mm)	S1	OR
T HROK 02 HB	G 1/8" -28	G 1/8" -28	14	14	7,65 x 1,78
T HROK 04 HB 02	G 1/4" -19	G 1/8" -28	14	19	10,78 x 2,62
T HROK 04 HB	G 1/4" -19	G 1/4" -19	19	19	10,78 x 2,62
T HROK 04 HB 06	G 1/4" -19	G 3/8" -19	19	19	10,78 x 2,62
T HROK 06 HB 04	G 3/8" -19	G 1/4" -19	19	22	13,94 x 2,62
T HROK 06 HB	G 3/8" -19	G 3/8" -19	19	22	13,94 x 2,62
T HROK 06 HB 08	G 3/8" -19	G 1/2" -14	19	22	13,94 x 2,62
T HROK 08 HB 06	G 1/2" -14	G 3/8" -19	27	27	17,86 x 2,62
T HROK 08 HB	G 1/2" -14	G 1/2" -14	27	27	17,86 x 2,62
T HROK 08 HB 10	G 1/2" -14	G 5/8" -14	27	27	17,86 x 2,62
T HROK 08 HB 12	G 1/2" -14	G 3/4" -14	30	27	17,86 x 2,62
T HROK 12 HB 08	G 3/4" -14	G 1/2" -14	30	36	23,47 x 2,62
T HROK 12 HB	G 3/4" -14	G 3/4" -14	30	36	23,47 x 2,62
T HROK 12 HB 16	G 3/4" -14	G 1" -11	36	36	23,47 x 2,62
T HROK 16 HB 12	G 1" -11	G 3/4" -14	36	41	29,74 x 3,53
T HROK 16 HB	G 1" -11	G 1" -11	36	41	29,74 x 3,53
T HROK 20 HB 16	G 1,1/4" -11	G 1" -11	41	50	37,69 x 3,53
T HROK 20 HB	G 1,1/4" -11	G 1,1/4" -11	51	50	37,69 x 3,53
T HROK 24 HB	G 1,1/2" -11	G 1,1/2" -11	50	55	44,04 x 3,53

SW, S1, S2 = sleutelmaat

### Reserveonderdelen

**KAMMRING G** Kamerring, duims