

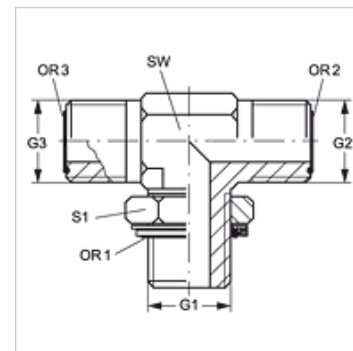
# T HROK HJOF

Inschroefsok, T-vorm

**HANSA FLEX**

## Eigenschappen

|                              |                                   |
|------------------------------|-----------------------------------|
| <b>Aansluiting 1</b>         | BSP-buitendraad cilindrisch       |
| <b>Afdichtingsvorm 1</b>     | Draadsok met O-ring + kammerring  |
| <b>Aansluiting 2 + 3</b>     | ORFS-buitendraad                  |
| <b>Afdichtingsvorm 2 + 3</b> | vlakdichtend met O-ring           |
| <b>Constructie</b>           | Inschroef-sok richting instelbaar |
| <b>Uitvoering</b>            | T-vorm                            |
| <b>Materiaal</b>             | Staal                             |
| <b>Oppervlakbescherming</b>  | Galvanisch gecoat                 |



## Artikel

| Aanduiding               | G1           | G2 + G3         | SW<br>(mm) | S1 | OR1          | OR2 + OR3    |
|--------------------------|--------------|-----------------|------------|----|--------------|--------------|
| <b>T HROK 02 HJOF 04</b> | G 1/8" -28   | 9/16" -18 UNF   | 14         | 14 | 8,00 x 2,00  | 7,65 x 1,78  |
| <b>T HROK 04 HJOF</b>    | G 1/4" -19   | 9/16" -18 UNF   | 19         | 19 | 10,77 x 2,62 | 7,65 x 1,78  |
| <b>T HROK 04 HJOF 06</b> | G 1/4" -19   | 11/16" -16 UN   | 19         | 19 | 10,70 x 2,62 | 9,25 x 1,78  |
| <b>T HROK 06 HJOF</b>    | G 3/8" -19   | 11/16" -16 UN   | 19         | 22 | 13,94 x 2,62 | 9,25 x 1,78  |
| <b>T HROK 06 HJOF 08</b> | G 3/8" -19   | 13/16" -16 UN   | 19         | 22 | 13,94 x 2,62 | 12,42 x 1,78 |
| <b>T HROK 08 HJOF</b>    | G 1/2" -14   | 13/16" -16 UN   | 27         | 27 | 17,86 x 2,62 | 12,42 x 1,78 |
| <b>T HROK 08 HJOF 10</b> | G 1/2" -14   | 1" -14 UNS      | 27         | 27 | 17,86 x 2,62 | 15,60 x 1,78 |
| <b>T HROK 12 HJOF 10</b> | G 3/4" -14   | 1" -14 UNS      | 30         | 36 | 23,47 x 2,62 | 15,60 x 1,78 |
| <b>T HROK 12 HJOF</b>    | G 3/4" -14   | 1,3/16" -12 UN  | 30         | 36 | 23,47 x 2,62 | 12,42 x 1,78 |
| <b>T HROK 16 HJOF</b>    | G 1" -11     | 1,7/16" -12 UN  | 36         | 41 | 29,75 x 3,53 | 23,52 x 1,78 |
| <b>T HROK 20 HJOF</b>    | G 1,1/4" -11 | 1.11/16" -12 UN | 41         | 50 | 37,69 x 3,53 | 29,87 x 1,78 |
| <b>T HROK 24 HJOF</b>    | G 1,1/2" -11 | 2" -12 UN       | 50         | 55 | 44,04 x 3,53 | 37,82 x 1,78 |

SW, S1, S2 = sleutelmaat

## Reserveonderdelen

**KAMMRING G** Kamerring, duims