

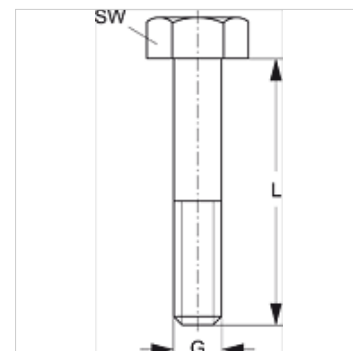
# SRS AS D V4

Inbusbout voor dubbele buisklem

**HANSA FLEX**

## Eigenschappen

|                    |  |
|--------------------|--|
| <b>Constructie</b> | Voor dubbele buisklemmen                 |
| <b>Norm</b>        | DIN 931 (ISO 4014) of DIN 933 (ISO 4017) |
| <b>Materiaal</b>   | RVS 1.4571                               |



## Artikel

| Aanduiding           | Maat klem | G   | L<br>(mm) | SW<br>(mm) |
|----------------------|-----------|-----|-----------|------------|
| <b>SRS AS 1 D V4</b> | 1         | M 6 | 35        | 10         |
| <b>SRS AS 2 D V4</b> | 2         | M 8 | 35        | 13         |
| <b>SRS AS 3 D V4</b> | 3         | M 8 | 45        | 13         |
| <b>SRS AS 4 D V4</b> | 4         | M 8 | 50        | 13         |
| <b>SRS AS 5 D V4</b> | 5         | M 8 | 60        | 13         |

## Productvarianten

**SRS AS D** Inbusbout voor dubbele buisklem, Staal