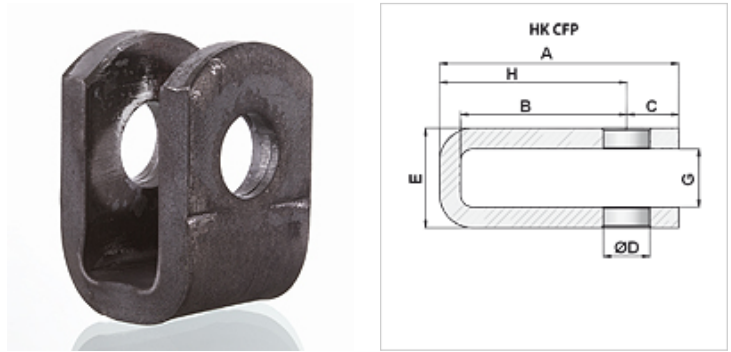


Eigenschappen

Materiaal Staal S355J0 (Fe510C)



Artikel

| Aanduiding | A (mm) | B (mm) | C (mm) | E (mm) | G (mm) | H (mm) | Ø D (mm) | Profiel | Gewicht (kg) |
|------------------|-----------|-----------|-----------|-----------|-----------|-----------|-------------|---------|-----------------|
| HK CFP 40 10 125 | 125,00 | 95,00 | 20,0 | 40,50 | 20,50 | 105,0 | 20,25 | 40 x 10 | 0,5 |
| HK CFP 45 10 067 | 67,00 | 30,00 | 27,0 | 43,00 | 23,00 | 40,0 | 20,25 | 45 x 10 | 1,0 |
| HK CFP 45 10 132 | 132,00 | 97,00 | 25,0 | 48,00 | 28,00 | 107,0 | 22,25 | 45 x 10 | 1,0 |
| HK CFP 50 15 135 | 135,00 | 95,00 | 25,0 | 52,00 | 22,00 | 110,0 | 26,25 | 50 x 15 | 1,3 |
| HK CFP 50 15 140 | 140,00 | 95,00 | 30,0 | 63,00 | 33,00 | 110,0 | 26,25 | 50 x 15 | 1,5 |
| HK CFP 60 20 175 | 175,00 | 125,00 | 30,0 | 75,00 | 35,00 | 145,0 | 26,25 | 60 x 20 | 3,0 |
| HK CFP 60 20 180 | 180,00 | 130,00 | 30,0 | 80,00 | 40,00 | 150,0 | 26,25 | 60 x 20 | 3,5 |