

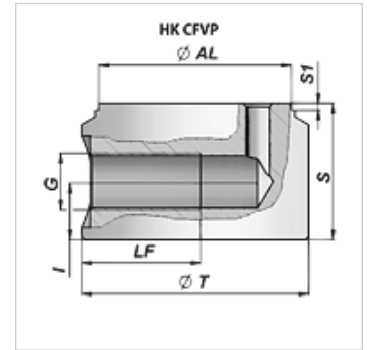
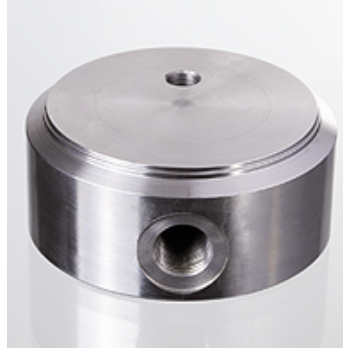
# HK CFVP

Cilinderbodem met olievulopening

**HANSA FLEX**

## Eigenschappen

Materiaal Staal S355J0 (Fe510C)



## Artikel

| Aanduiding         | Ø AL<br>(mm) | Ø T<br>(mm) | G      | I<br>(mm) | LF<br>(mm) | S<br>(mm) | S1<br>(mm) | Gewicht<br>(kg) |
|--------------------|--------------|-------------|--------|-----------|------------|-----------|------------|-----------------|
| HK CFVP 040 050 04 | 40           | 50          | G 1/4" | 17,0      | 30         | 40        | 2          | 0,54            |
| HK CFVP 050 060 06 | 50           | 60          | G 3/8" | 17,0      | 35         | 40        | 2          | 0,77            |
| HK CFVP 060 070 06 | 60           | 70          | G 3/8" | 17,0      | 35         | 40        | 2          | 1,10            |
| HK CFVP 063 073 06 | 63           | 73          | G 3/8" | 17,0      | 35         | 40        | 2          | 1,17            |
| HK CFVP 070 080 06 | 70           | 80          | G 3/8" | 17,0      | 35         | 40        | 2          | 1,41            |
| HK CFVP 080 095 08 | 80           | 95          | G 1/2" | 20,0      | 45         | 50        | 2          | 2,49            |
| HK CFVP 090 105 08 | 90           | 105         | G 1/2" | 20,0      | 45         | 50        | 2          | 3,11            |
| HK CFVP 100 115 08 | 100          | 115         | G 1/2" | 20,0      | 45         | 50        | 2          | 3,70            |