

# HK HL / PL / PK

Pomprager

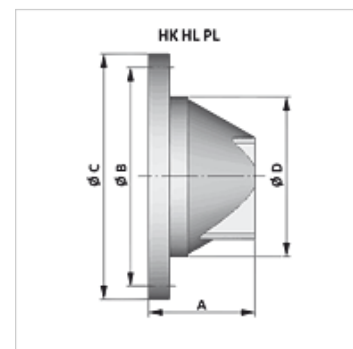
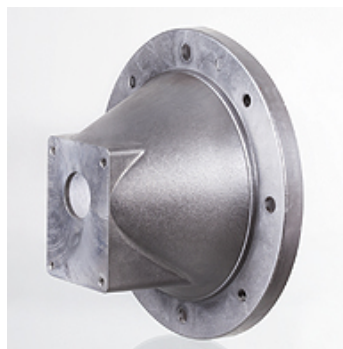
**HANSA FLEX**

## Eigenschappen

**Uitvoering** te combineren met koppeling HK HE en HK ROTEX Z

**Materiaal** aluminium

**Gebruik** For gear pumps size 2 and size 3



## Beschrijving

centrerings voor motor- en pompas

## Artikel

| Aanduiding      | A<br>(mm) | Ø B<br>(mm) | Ø C<br>(mm) | Ø D<br>(mm) | Flens pompaansluiting | Pomp          | Motor     | Gewicht<br>(kg) |
|-----------------|-----------|-------------|-------------|-------------|-----------------------|---------------|-----------|-----------------|
| HK HL 1         | 70,00     | 130         | 160         | 110         | 2-gats-flens 66       | BG0 / as cil. | BG71      | 0,44            |
| HK HL 2         | 70,00     | 130         | 160         | 110         | 71,9 x 52,4           | BG1 / as 1:8  | BG71      | 0,44            |
| HK HL 4L        | 86,00     | 165         | 200         | 130         | 2-gats-flens 66       | BG0 / as cil. | BG80/90   | 0,68            |
| HK HL 5L        | 86,00     | 165         | 200         | 130         | 71,9 x 52,4           | BG1 / as 1:8  | BG80/90   | 0,67            |
| HK HL 7SL       | 95,00     | 165         | 200         | 130         | 96,2 x 71,5           | BG2 / as 1:8  | BG80/90   | 0,65            |
| HK HL 81L       | 115,00    | 215         | 250         | 176         | 71,9 x 52,4           | BG1 / as 1:8  | BG100/112 | 1,22            |
| HK HL 9L        | 115,00    | 215         | 250         | 176         | 96,2 x 71,5           | BG2 / as 1:8  | BG100/112 | 1,21            |
| HK HL 11        | 130,00    | 215         | 250         | 176         | 128 x 98              | BG3 / as 1:8  | BG100/112 | 1,20            |
| HK HL 12        | 148,00    | 265         | 300         | 229         | 96,2 x 71,5           | BG2 / as 1:8  | BG132     | 1,99            |
| HK HL 13        | 148,00    | 265         | 300         | 229         | 128 x 98              | BG3 / as 1:8  | BG132     | 1,99            |
| HK HL 15        | 187,00    | 300         | 350         | 210         | 96,2 x 71,5           | BG2 / as 1:8  | BG160/180 | 3,38            |
| HK HL 16        | 187,00    | 300         | 350         | 210         | 128 x 98              | BG3 / as 1:8  | BG160/180 | 3,38            |
| HK PL 300 01 02 | 132,00    | 265         | 300         | 234         | 96,2 x 71,5           | BG2 / as 1:8  | BG132     | 1,99            |
| HK PK 300 02 08 | 137,00    | 265         | 300         | 234         | 128 x 98              | BG3 / as 1:8  | BG132     | 1,90            |
| HK PL 350 01 05 | 175,00    | 300         | 350         | 260         | 96,2 x 71,5           | BG2 / as 1:8  | BG160/180 | 3,38            |
| HK PL 350 01 06 | 175,00    | 300         | 350         | 260         | 128 x 98              | BG3 / as 1:8  | BG160/180 | 3,38            |

## Toebehoren

HK DRV Dempring

HK DPT Afdichting voor pomprager