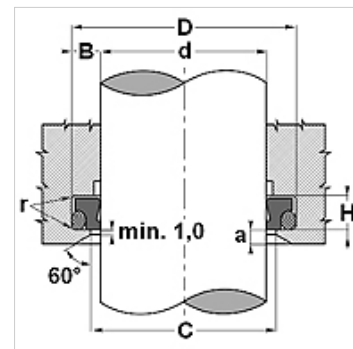


## Eigenschappen

|                           |  |
|---------------------------|--|
| <b>Constructie</b>        | Afstrijker   |
| <b>Glij snelheid max.</b> | 15,0 m/s   |
| <b>Temperatuur min.</b>   | -30 °C   |
| <b>Temperatuur max.</b>   | 110 °C   |
| <b>Middelen</b>           | Minerale olie .  |
| <b>Montage</b>            | eerst O-ring en dan PTFE-ring in niervorm vervormen en in de opnamegroef drukken (vanaf 30 mm) |
| <b>Materiaal</b>          | (1) Dynamische afdichting: PTBR<br>(2) Statische afdichting: NBR                               |
| <b>Toepassing</b>         | Hydrauliek   |



| Toleranz / Tolerance |    |     |            |
|----------------------|----|-----|------------|
| d                    | D  | C   | L          |
| f8 / h9              | H9 | H11 | 0<br>+0,20 |



## Beschrijving

geringe glijwrijving

Geen stick-slip.

Weinig benodigde ruimte

lange levensduur

Extreme temperatures -45°C to 200°C with Viton O-ring.

zeer goede afstrijkwerking van aan de binnenzijde van de zuigerstang hechtende rest-olielaag.

## Artikel

| Aanduiding       | d<br>(mm) | D<br>(mm) | H<br>(mm) | C<br>(mm) |
|------------------|-----------|-----------|-----------|-----------|
| WTF 0080 B554470 | 8         | 12,8      | 3,7       | 10,7      |
| WTF 0100 B554470 | 10        | 14,8      | 3,7       | 12,7      |
| WTF 0120 B554470 | 12        | 18,8      | 5,0       | 15,5      |
| WTF 0140 B554470 | 14        | 20,8      | 5,0       | 17,5      |
| WTF 0150 B554470 | 15        | 21,8      | 5,0       | 18,5      |
| WTF 0160 B554470 | 16        | 22,8      | 5,0       | 19,5      |
| WTF 0180 B554470 | 18        | 24,8      | 5,0       | 21,5      |
| WTF 0200 B554470 | 20        | 26,8      | 5,0       | 23,5      |
| WTF 0220 B554470 | 22        | 28,8      | 5,0       | 23,5      |
| WTF 0250 B554470 | 25        | 31,8      | 5,0       | 28,5      |
| WTF 0280 B554470 | 28        | 34,8      | 5,0       | 31,5      |
| WTF 0300 B554470 | 30        | 36,8      | 5,0       | 33,5      |
| WTF 0320 B554470 | 32        | 38,8      | 5,0       | 35,5      |
| WTF 0350 B554470 | 35        | 41,8      | 5,0       | 38,5      |
| WTF 0400 B554470 | 40        | 46,8      | 5,0       | 43,5      |
| WTF 0420 B554470 | 42        | 48,8      | 5,0       | 45,5      |
| WTF 0450 B554470 | 45        | 51,8      | 5,0       | 48,5      |
| WTF 0500 B554470 | 50        | 56,8      | 5,0       | 53,5      |
| WTF 0550 B554470 | 55        | 61,8      | 5,0       | 58,5      |
| WTF 0600 B554470 | 60        | 66,8      | 5,0       | 63,5      |
| WTF 0650 B554470 | 65        | 73,8      | 6,0       | 69,0      |
| WTF 0700 B554470 | 70        | 78,8      | 6,0       | 74,0      |
| WTF 0750 B554470 | 75        | 83,8      | 6,0       | 79,0      |
| WTF 0800 B554470 | 80        | 88,8      | 6,0       | 84,0      |
| WTF 0850 B554470 | 85        | 93,8      | 6,0       | 89,0      |
| WTF 0900 B554470 | 90        | 98,8      | 6,0       | 94,0      |
| WTF 0950 B554470 | 95        | 103,8     | 6,0       | 99,0      |
| WTF 1000 B554470 | 100       | 108,8     | 6,0       | 104,0     |
| WTF 1050 B554470 | 105       | 113,8     | 6,0       | 109,0     |
| WTF 1100 B554470 | 110       | 118,8     | 6,0       | 114,0     |
| WTF 1200 B554470 | 120       | 128,8     | 6,0       | 124,0     |
| WTF 1500 B554470 | 150       | 158,8     | 6,0       | 154,0     |
| WTF 1530 B554470 | 153       | 161,8     | 6,0       | 157,0     |
| WTF 1700 B554470 | 170       | 178,8     | 6,0       | 174,0     |
| WTF 1730 B554470 | 173       | 181,8     | 6,0       | 177,0     |
| WTF 2100 B554470 | 210       | 218,8     | 6,0       | 214,0     |
| WTF 2400 B554470 | 240       | 248,8     | 6,0       | 244,0     |