

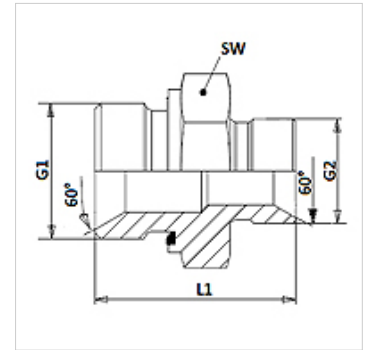
# GE HRED HB

Inschroefsok

**HANSA FLEX**

## Eigenschappen

|                      |                             |
|----------------------|-----------------------------|
| Aansluiting 1        | BSP-buitendraad cilindrisch |
| Afdichtingsvorm 1    | Vorm E                      |
| Aansluiting 2        | BSP-buitendraad cilindrisch |
| Afdichtingsvorm 2    | 60° binnenconus             |
| Constructie          | Inschroefsok                |
| Uitvoering           | recht                       |
| Materiaal            | Staal                       |
| Oppervlakbescherming | Galvanisch gecoat           |



## Aanwijzing

Te gebruiken als inschroefverbinding met afdichtingsvorm E en als connector met 60° binnenconus

## Artikel

| Aanduiding       | G1           | G2           | L1<br>(mm) | SW<br>(mm) |
|------------------|--------------|--------------|------------|------------|
| GE HRED 02 HB    | G 1/8" -28   | G 1/8" -28   | 24,0       | 14         |
| GE HRED 04 HB 02 | G 1/4" -19   | G 1/8" -28   | 28,5       | 19         |
| GE HRED 04 HB    | G 1/4" -19   | G 1/4" -19   | 33,0       | 19         |
| GE HRED 04 HB 06 | G 1/4" -19   | G 3/8" -19   | 34,5       | 19         |
| GE HRED 06 HB 04 | G 3/8" -19   | G 1/4" -19   | 33,5       | 22         |
| GE HRED 06 HB    | G 3/8" -19   | G 3/8" -19   | 35,0       | 22         |
| GE HRED 06 HB 08 | G 3/8" -19   | G 1/2" -14   | 38,5       | 22         |
| GE HRED 08 HB 06 | G 1/2" -14   | G 3/8" -19   | 37,5       | 27         |
| GE HRED 08 HB    | G 1/2" -14   | G 1/2" -14   | 41,0       | 27         |
| GE HRED 08 HB 10 | G 1/2" -14   | G 5/8" -14   | 43,0       | 27         |
| GE HRED 08 HB 12 | G 1/2" -14   | G 3/4" -14   | 45,0       | 32         |
| GE HRED 12 HB 08 | G 3/4" -14   | G 1/2" -14   | 43,0       | 32         |
| GE HRED 12 HB    | G 3/4" -14   | G 3/4" -14   | 47,0       | 32         |
| GE HRED 12 HB 16 | G 3/4" -14   | G 1" -11     | 51,0       | 32         |
| GE HRED 16 HB 12 | G 1" -11     | G 3/4" -14   | 49,0       | 41         |
| GE HRED 16 HB    | G 1" -11     | G 1" -11     | 53,0       | 41         |
| GE HRED 20 HB 16 | G 1,1/4" -11 | G 1" -11     | 55,0       | 50         |
| GE HRED 20 HB    | G 1,1/4" -11 | G 1,1/4" -11 | 58,0       | 50         |
| GE HRED 24 HB    | G 1,1/2" -11 | G 1,1/2" -11 | 64,0       | 55         |

SW = sleutelmaat

## Reserveonderdelen

WD Zachte afdichting voor ED-schroefverbindingen