

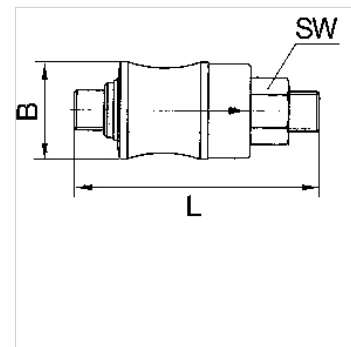
# K-HAND-SCHIEBEVENTIL

Manual slide valves

**HANSA FLEX**

## Eigenschappen

Werkdruk	max. 10 bar
Bedrijfstemperatuur	max. +70 °C



## Aanwijzing

Andere gegevens op aanvraag.

## Beschrijving

For use on devices that have to be vented whenever they are turned off, either because of safety regulations or for technical reasons. The pneumatic devices are disconnected from the system and simultaneously vented each time they are shut off.

## Artikel

Aanduiding	Schroefdraad	B (mm)	L (mm)	SW (mm)
K- 07 30 15 92	G 1/8	21,0	67,0	14
K- 07 30 15 93	G 1/4	24,0	77,0	17
K- 07 30 15 94	G 3/8	31,0	87,0	22
K- 07 30 15 95	G 1/2	35,0	104,0	26