

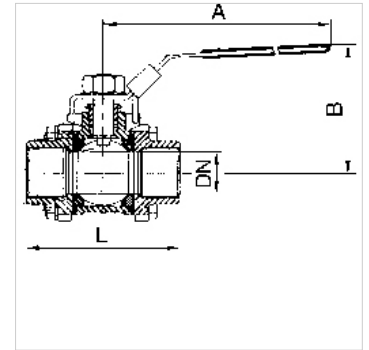
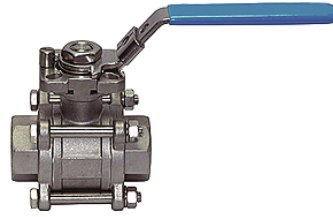
# K-BKR GEWINDEAUSLAUF VA

Ball valves

**HANSA FLEX**

## Eigenschappen

<b>Werkdruk</b>	max. 70 bar (depending on temperature and nominal size)
<b>1.1/4" to 1.1/2"</b>	20 °C: 70 bar, 60 °C: 55 bar, 100 °C: 35 bar, 150 °C: 6 bar, 180 °C: 4 bar, 200 °C: 0 bar
<b>1/4" bis 1"</b>	20 °C: 70 bar, 60 °C: 65 bar, 100 °C: 45 bar, 150 °C: 7 bar, 180 °C: 4 bar, 200 °C: 0 bar
<b>2"</b>	20 °C: 60 bar, 60 °C: 40 bar, 100 °C: 30 bar, 150 °C: 5 bar, 180 °C: 4 bar, 200 °C: 0 bar
<b>Bedrijfstemperatuur</b>	200 °C at 0 bar
<b>Afdichting</b>	15 % RPTFE (glass fibre reinforced PTFE)
<b>Handhendel</b>	Stainless steel 1.4301



## Aanwijzing

G thread acc. to DIN EN ISO 228-1, with ISO flange plate (acc. to ISO 5211)  
Andere gegevens op aanvraag.

## Bestelaanwijzingen

For use on devices that have to be vented whenever they are turned off, either because of safety regulations or for technical reasons. The pneumatic devices are disconnected from the system and simultaneously vented each time they are shut off.

## Extra informatie

G thread acc. to DIN EN ISO 228-1, with ISO flange plate (acc. to ISO 5211)

## Artikel

Aanduiding	DN	Schroefdraad	A (mm)	B (mm)	L (mm)	Materiaal
K- 07 30 14 86	8	G 1/4	123,0	74,0	63,0	Stainless steel 1.4401/1.4408
K- 07 30 14 87	10	G 3/8	123,0	74,0	63,0	Stainless steel 1.4401/1.4408
K- 07 30 14 88	15	G 1/2	123,0	74,0	63,0	Stainless steel 1.4401/1.4408
K- 07 30 14 89	20	G 3/4	123,0	78,0	73,0	Stainless steel 1.4401/1.4408
K- 07 30 14 90	25	G 1	153,0	89,0	85,0	Stainless steel 1.4401/1.4408
K- 07 30 14 91	32	G 1 1/4	153,0	94,0	96,0	Stainless steel 1.4401/1.4408
K- 07 30 14 92	40	G 1 1/2	183,0	110,0	114,0	Stainless steel 1.4401/1.4408
K- 07 30 14 93	50	G 2	183,0	118,0	134,0	Stainless steel 1.4401/1.4408