

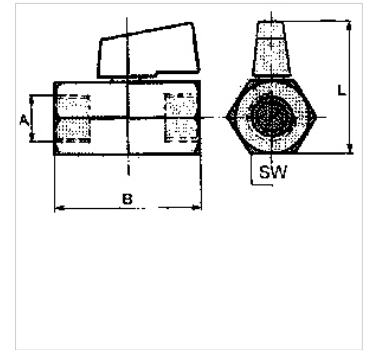
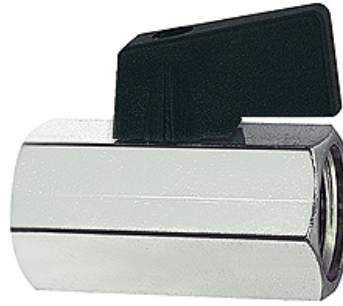
K-BKR MINI GLATTE OBERFLAECHE

Mini ball valves

HANSA FLEX

Eigenschappen

| | |
|------------------------------|--|
| Toepassingsgebied | Compressed air, water, oils, non-toxic gases |
| Werkdruk | max. 10 bar |
| Mediumtemperatuur | -10 °C to +80 °C |
| Behuizing en kogel | Nickel-plated brass |
| Handgreep, draaigreep | Plastic |
| Kogelafsluiting | PTFE |
| Stangafdichting | NBR |



Aanwijzing

Andere gegevens op aanvraag.

Artikel

| Aanduiding | Schroefdraad | B (mm) | L (mm) | SW (mm) |
|----------------|---------------------|-----------|-----------|------------|
| K- 07 30 20 86 | G 1/8 female | 39,0 | 38,0 | 20 |
| K- 07 30 20 87 | G 1/4 female | 39,0 | 38,0 | 20 |
| K- 07 30 20 88 | G 3/8 female | 42,0 | 38,0 | 20 |
| K- 07 30 20 89 | G 1/2 female | 47,0 | 38,0 | 24 |
| K- 07 30 20 82 | G 1/8 female/male | 39,0 | 38,0 | 20 |
| K- 07 30 20 83 | G 1/4 female/male | 39,0 | 38,0 | 20 |
| K- 07 30 20 84 | G 3/8 female / male | 40,0 | 38,0 | 20 |
| K- 07 30 20 85 | G 1/2 female/male | 45,0 | 38,0 | 24 |