

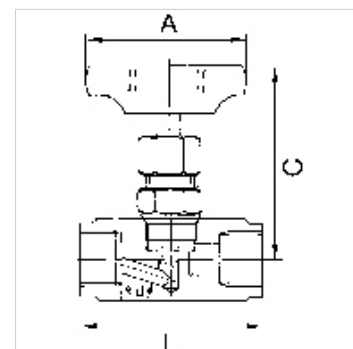
K-NADELVENTILE VA

Needle valves

HANSA FLEX

Eigenschappen

| | |
|----------------------------|--|
| Werkdruk | max. 400 bar (at 20 °C); max. 250 bar (at G 1 - 20 °C) |
| Bedrijfstemperatuur | -20 °C to +120 °C |
| Afdichtmateriaal | PTFE |
| Behuizing | Stainless steel 1.4571 |
| Handwiel | Plastic |
| Materiaal | sealing: PTFE |



Aanwijzing

G thread acc. to DIN EN ISO 228-1, with ISO flange plate (acc. to ISO 5211)

Andere gegevens op aanvraag.

Bestelaanwijzingen

For use on devices that have to be vented whenever they are turned off, either because of safety regulations or for technical reasons. The pneumatic devices are disconnected from the system and simultaneously vented each time they are shut off.

Extra informatie

Port sizes G 1 1/4, G 1 1/2 and G 2 available on request

Artikel

| Aanduiding | DN | Schroefdraad | A (mm) | C (mm) | L (mm) |
|----------------|----|--------------|-----------|-----------|-----------|
| K- 07 30 24 03 | 4 | G 1/8 | 50,0 | 74,0 | 50,0 |
| K- 07 30 24 04 | 5 | G 1/4 | 50,0 | 73,0 | 50,0 |
| K- 07 30 24 05 | 6 | G 3/8 | 50,0 | 72,0 | 55,0 |
| K- 07 30 24 06 | 8 | G 1/2 | 63,0 | 83,0 | 60,0 |
| K- 07 30 24 07 | 10 | G 3/4 | 63,0 | 100,0 | 75,0 |
| K- 07 30 24 08 | 12 | G 1 | 80,0 | 110,0 | 100,0 |