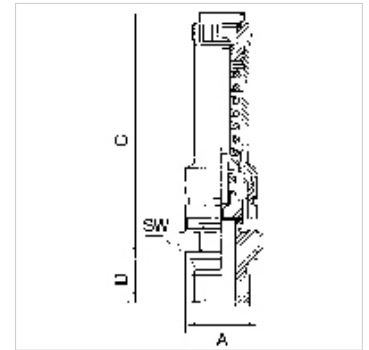


K-SHV DN8

Safety valves DN 8

Eigenschappen

Werkdruk	see operating pressure
Bedrijfstemperatuur	-25 °C to +180 °C
Afdichtingen	FKM
Drukveer	Stainless steel
Behuizing	Brass
Overige gegevens	User manual on request



Aanwijzing

G thread acc. to DIN EN ISO 228-1, with ISO flange plate (acc. to ISO 5211)

Beschrijving

For compressed air and non-toxic, non-flammable gases, cannot be used for liquids due to free blow-off, not suitable for steam. These valves are TÜV approved and have a TÜV type test number.

Extra informatie

Important information: These valves are type-tested and are only allowed to be delivered with a fixed setting.

Artikel

Aanduiding	Schroefdraad	Aanspreekdruk	A (mm)	C (mm)	D (mm)	SW (mm)
K- 07 30 07 56	G 1/4"	0.2 bar	18,0	63,0	10,0	20
K- 07 30 07 57	G 1/4"	0.3 bar	18,0	63,0	10,0	20
K- 07 30 07 58	G 1/4"	0.35 bar	18,0	63,0	10,0	20
K- 07 30 07 59	G 1/4"	0.4 bar	18,0	63,0	10,0	20
K- 07 30 07 60	G 1/4"	0.45 bar	18,0	63,0	10,0	20
K- 07 30 07 61	G 1/4"	0.5 bar	18,0	63,0	10,0	20
K- 07 30 07 62	G 1/4"	0.6 bar	18,0	63,0	10,0	20
K- 07 30 07 63	G 1/4"	0.65 bar	18,0	63,0	10,0	20
K- 07 30 07 64	G 1/4"	0.7 bar	18,0	63,0	10,0	20
K- 07 30 07 65	G 1/4"	0.75 bar	18,0	63,0	10,0	20
K- 07 30 07 66	G 1/4"	0.8 bar	18,0	63,0	10,0	20
K- 07 30 07 67	G 1/4"	0.9 bar	18,0	63,0	10,0	20
K- 07 30 07 68	G 1/4"	1.0 bar	18,0	63,0	10,0	20
K- 07 30 07 69	G 1/4"	1.1 bar	18,0	63,0	10,0	20
K- 07 30 07 70	G 1/4"	1.2 bar	18,0	63,0	10,0	20
K- 07 30 07 71	G 1/4"	1.3 bar	18,0	63,0	10,0	20
K- 07 30 07 72	G 1/4"	1.4 bar	18,0	63,0	10,0	20
K- 07 30 07 73	G 1/4"	1.5 bar	18,0	63,0	10,0	20
K- 07 30 07 74	G 1/4"	1.6 bar	18,0	63,0	10,0	20
K- 07 30 07 75	G 1/4"	1.7 bar	18,0	63,0	10,0	20
K- 07 30 07 76	G 1/4"	1.75 bar	18,0	63,0	10,0	20
K- 07 30 07 77	G 1/4"	1.8 bar	18,0	63,0	10,0	20
K- 07 30 07 78	G 1/4"	1.9 bar	18,0	63,0	10,0	20
K- 07 30 08 13	G 1/4"	2.0 bar	18,0	63,0	10,0	20
K- 07 30 08 14	G 1/4"	2.1 bar	18,0	63,0	10,0	20
K- 07 30 08 15	G 1/4"	2.2 bar	18,0	63,0	10,0	20
K- 07 30 08 16	G 1/4"	2.3 bar	18,0	63,0	10,0	20
K- 07 30 08 17	G 1/4"	2.4 bar	18,0	63,0	10,0	20
K- 07 30 08 18	G 1/4"	2.5 bar	18,0	63,0	10,0	20
K- 07 30 08 19	G 1/4"	2.6 bar	18,0	63,0	10,0	20
K- 07 30 08 20	G 1/4"	2.7 bar	18,0	63,0	10,0	20
K- 07 30 08 21	G 1/4"	2.8 bar	18,0	63,0	10,0	20
K- 07 30 08 22	G 1/4"	2.9 bar	18,0	63,0	10,0	20
K- 07 30 08 47	G 1/4"	3.0 bar	18,0	63,0	10,0	20
K- 07 30 08 48	G 1/4"	3.1 bar	18,0	63,0	10,0	20
K- 07 30 08 49	G 1/4"	3.2 bar	18,0	63,0	10,0	20
K- 07 30 08 50	G 1/4"	3.3 bar	18,0	63,0	10,0	20



Artikel	Aanduiding	Schroefdraad	Aanspreekdruk	A (mm)	C (mm)	D (mm)	SW (mm)
K- 07 30 08 51	G 1/4"		3.4 bar	18,0	63,0	10,0	20
K- 07 30 08 52	G 1/4"		3.5 bar	18,0	63,0	10,0	20
K- 07 30 08 53	G 1/4"		3.6 bar	18,0	63,0	10,0	20
K- 07 30 08 54	G 1/4"		3.7 bar	18,0	63,0	10,0	20
K- 07 30 08 55	G 1/4"		3.8 bar	18,0	63,0	10,0	20
K- 07 30 08 56	G 1/4"		3.9 bar	18,0	63,0	10,0	20
K- 07 30 08 68	G 1/4"		4.0 bar	18,0	63,0	10,0	20
K- 07 30 08 69	G 1/4"		4.1 bar	18,0	63,0	10,0	20
K- 07 30 08 70	G 1/4"		4.2 bar	18,0	63,0	10,0	20
K- 07 30 08 71	G 1/4"		4.3 bar	18,0	63,0	10,0	20
K- 07 30 08 72	G 1/4"		4.4 bar	18,0	63,0	10,0	20
K- 07 30 08 73	G 1/4"		4.5 bar	18,0	63,0	10,0	20
K- 07 30 08 74	G 1/4"		4.6 bar	18,0	63,0	10,0	20
K- 07 30 08 75	G 1/4"		4.7 bar	18,0	63,0	10,0	20
K- 07 30 08 76	G 1/4"		4.8 bar	18,0	63,0	10,0	20
K- 07 30 08 77	G 1/4"		4.9 bar	18,0	63,0	10,0	20
K- 07 30 08 90	G 1/4"		5.0 bar	18,0	63,0	10,0	20
K- 07 30 08 91	G 1/4"		5.1 bar	18,0	63,0	10,0	20
K- 07 30 08 92	G 1/4"		5.2 bar	18,0	63,0	10,0	20
K- 07 30 08 93	G 1/4"		5.3 bar	18,0	63,0	10,0	20
K- 07 30 08 94	G 1/4"		5.5 bar	18,0	63,0	10,0	20
K- 07 30 08 95	G 1/4"		5.6 bar	18,0	63,0	10,0	20
K- 07 30 08 96	G 1/4"		5.7 bar	18,0	63,0	10,0	20
K- 07 30 08 97	G 1/4"		5.8 bar	18,0	63,0	10,0	20
K- 07 30 08 99	G 1/4"		6.0 bar	18,0	63,0	10,0	20
K- 07 30 09 00	G 1/4"		6.1 bar	18,0	63,0	10,0	20
K- 07 30 09 01	G 1/4"		6.2 bar	18,0	63,0	10,0	20
K- 07 30 09 02	G 1/4"		6.3 bar	18,0	63,0	10,0	20
K- 07 30 09 03	G 1/4"		6.5 bar	18,0	63,0	10,0	20
K- 07 30 09 04	G 1/4"		6.6 bar	18,0	63,0	10,0	20
K- 07 30 09 05	G 1/4"		6.7 bar	18,0	63,0	10,0	20
K- 07 30 09 06	G 1/4"		6.8 bar	18,0	63,0	10,0	20
K- 07 30 09 07	G 1/4"		7.0 bar	18,0	63,0	10,0	20
K- 07 30 09 08	G 1/4"		7.1 bar	18,0	63,0	10,0	20
K- 07 30 09 09	G 1/4"		7.2 bar	18,0	63,0	10,0	20
K- 07 30 09 10	G 1/4"		7.3 bar	18,0	63,0	10,0	20
K- 07 30 09 11	G 1/4"		7.4 bar	18,0	63,0	10,0	20
K- 07 30 09 12	G 1/4"		7.5 bar	18,0	63,0	10,0	20
K- 07 30 09 13	G 1/4"		7.6 bar	18,0	63,0	10,0	20
K- 07 30 09 14	G 1/4"		7.7 bar	18,0	63,0	10,0	20
K- 07 30 09 15	G 1/4"		7.8 bar	18,0	63,0	10,0	20
K- 07 30 09 16	G 1/4"		8.0 bar	18,0	63,0	10,0	20
K- 07 30 09 17	G 1/4"		8.1 bar	18,0	63,0	10,0	20
K- 07 30 09 18	G 1/4"		8.3 bar	18,0	63,0	10,0	20
K- 07 30 09 19	G 1/4"		8.4 bar	18,0	63,0	10,0	20
K- 07 30 09 20	G 1/4"		8.5 bar	18,0	63,0	10,0	20
K- 07 30 09 21	G 1/4"		8.8 bar	18,0	63,0	10,0	20
K- 07 30 09 22	G 1/4"		8.9 bar	18,0	63,0	10,0	20
K- 07 30 09 23	G 1/4"		9.0 bar	18,0	63,0	10,0	20
K- 07 30 09 24	G 1/4"		9.1 bar	18,0	63,0	10,0	20
K- 07 30 09 25	G 1/4"		9.2 bar	18,0	63,0	10,0	20
K- 07 30 09 26	G 1/4"		9.3 bar	18,0	63,0	10,0	20
K- 07 30 09 27	G 1/4"		9.4 bar	18,0	63,0	10,0	20
K- 07 30 09 28	G 1/4"		9.5 bar	18,0	63,0	10,0	20
K- 07 30 09 29	G 1/4"		9.6 bar	18,0	63,0	10,0	20
K- 07 30 09 30	G 1/4"		9.7 bar	18,0	63,0	10,0	20
K- 07 30 09 31	G 1/4"		9.8 bar	18,0	63,0	10,0	20
K- 07 30 07 79	G 1/4"		10.0 bar	18,0	63,0	10,0	20
K- 07 30 07 80	G 1/4"		10.2 bar	18,0	63,0	10,0	20
K- 07 30 07 81	G 1/4"		10.3 bar	18,0	63,0	10,0	20
K- 07 30 07 82	G 1/4"		10.5 bar	18,0	63,0	10,0	20
K- 07 30 07 83	G 1/4"		10.8 bar	18,0	63,0	10,0	20
K- 07 30 07 84	G 1/4"		11.0 bar	18,0	63,0	10,0	20



Artikel	Aanduiding	Schroefdraad	Aanspreekdruk	A (mm)	C (mm)	D (mm)	SW (mm)
K- 07 30 07 85	G 1/4"		11.3 bar	18,0	63,0	10,0	20
K- 07 30 07 86	G 1/4"		11.4 bar	18,0	63,0	10,0	20
K- 07 30 07 87	G 1/4"		11.5 bar	18,0	63,0	10,0	20
K- 07 30 07 88	G 1/4"		12.0 bar	18,0	63,0	10,0	20
K- 07 30 07 89	G 1/4"		12.1 bar	18,0	63,0	10,0	20
K- 07 30 07 90	G 1/4"		12.2 bar	18,0	63,0	10,0	20
K- 07 30 07 91	G 1/4"		12.3 bar	18,0	63,0	10,0	20
K- 07 30 07 92	G 1/4"		12.5 bar	18,0	63,0	10,0	20
K- 07 30 07 93	G 1/4"		13.0 bar	18,0	63,0	10,0	20
K- 07 30 07 94	G 1/4"		13.3 bar	18,0	63,0	10,0	20
K- 07 30 07 95	G 1/4"		13.5 bar	18,0	63,0	10,0	20
K- 07 30 07 96	G 1/4"		14.0 bar	18,0	63,0	10,0	20
K- 07 30 07 97	G 1/4"		14.2 bar	18,0	63,0	10,0	20
K- 07 30 07 98	G 1/4"		14.3 bar	18,0	75,0	10,0	20
K- 07 30 07 99	G 1/4"		14.5 bar	18,0	75,0	10,0	20
K- 07 30 08 00	G 1/4"		15.0 bar	18,0	75,0	10,0	20
K- 07 30 08 01	G 1/4"		15.2 bar	18,0	75,0	10,0	20
K- 07 30 08 02	G 1/4"		15.5 bar	18,0	75,0	10,0	20
K- 07 30 08 03	G 1/4"		15.7 bar	18,0	75,0	10,0	20
K- 07 30 08 04	G 1/4"		16.0 bar	18,0	75,0	10,0	20
K- 07 30 08 05	G 1/4"		16.5 bar	18,0	75,0	10,0	20
K- 07 30 08 06	G 1/4"		17.0 bar	18,0	75,0	10,0	20
K- 07 30 08 07	G 1/4"		17.5 bar	18,0	75,0	10,0	20
K- 07 30 08 08	G 1/4"		18.0 bar	18,0	75,0	10,0	20
K- 07 30 08 09	G 1/4"		18.5 bar	18,0	75,0	10,0	20
K- 07 30 08 10	G 1/4"		19.0 bar	18,0	75,0	10,0	20
K- 07 30 08 11	G 1/4"		19.4 bar	18,0	75,0	10,0	20
K- 07 30 08 12	G 1/4"		19.7 bar	18,0	75,0	10,0	20
K- 07 30 08 23	G 1/4"		20.0 bar	18,0	75,0	10,0	20
K- 07 30 08 24	G 1/4"		20.5 bar	18,0	75,0	10,0	20
K- 07 30 08 25	G 1/4"		21.0 bar	18,0	75,0	10,0	20
K- 07 30 08 26	G 1/4"		21.5 bar	18,0	75,0	10,0	20
K- 07 30 08 27	G 1/4"		22.0 bar	18,0	75,0	10,0	20
K- 07 30 08 28	G 1/4"		22.1 bar	18,0	75,0	10,0	20
K- 07 30 08 29	G 1/4"		22.5 bar	18,0	75,0	10,0	20
K- 07 30 08 30	G 1/4"		22.7 bar	18,0	75,0	10,0	20
K- 07 30 08 31	G 1/4"		22.8 bar	18,0	75,0	10,0	20
K- 07 30 08 32	G 1/4"		23.0 bar	18,0	75,0	10,0	20
K- 07 30 08 33	G 1/4"		23.4 bar	18,0	75,0	10,0	20
K- 07 30 08 34	G 1/4"		23.5 bar	18,0	75,0	10,0	20
K- 07 30 08 35	G 1/4"		24.0 bar	18,0	75,0	10,0	20
K- 07 30 08 36	G 1/4"		25.0 bar	18,0	75,0	10,0	20
K- 07 30 08 37	G 1/4"		25.5 bar	18,0	75,0	10,0	20
K- 07 30 08 38	G 1/4"		26.0 bar	18,0	75,0	10,0	20
K- 07 30 08 39	G 1/4"		26.5 bar	18,0	75,0	10,0	20
K- 07 30 08 40	G 1/4"		27.0 bar	18,0	75,0	10,0	20
K- 07 30 08 41	G 1/4"		27.5 bar	18,0	75,0	10,0	20
K- 07 30 08 42	G 1/4"		27.9 bar	18,0	75,0	10,0	20
K- 07 30 08 43	G 1/4"		28.0 bar	18,0	75,0	10,0	20
K- 07 30 08 44	G 1/4"		28.5 bar	18,0	75,0	10,0	20
K- 07 30 08 45	G 1/4"		29.0 bar	18,0	75,0	10,0	20
K- 07 30 08 46	G 1/4"		29.5 bar	18,0	75,0	10,0	20
K- 07 30 08 57	G 1/4"		30.0 bar	18,0	75,0	10,0	20
K- 07 30 08 58	G 1/4"		31.0 bar	18,0	75,0	10,0	20
K- 07 30 08 59	G 1/4"		32.0 bar	18,0	75,0	10,0	20
K- 07 30 08 60	G 1/4"		33.0 bar	18,0	75,0	10,0	20
K- 07 30 08 61	G 1/4"		33.5 bar	18,0	75,0	10,0	20
K- 07 30 08 62	G 1/4"		34.0 bar	18,0	75,0	10,0	20
K- 07 30 08 63	G 1/4"		35.0 bar	18,0	75,0	10,0	20
K- 07 30 08 64	G 1/4"		36.0 bar	18,0	75,0	10,0	20
K- 07 30 08 65	G 1/4"		37.5 bar	18,0	75,0	10,0	20
K- 07 30 08 66	G 1/4"		38.0 bar	18,0	75,0	10,0	20
K- 07 30 08 67	G 1/4"		38.5 bar	18,0	75,0	10,0	20



Artikel	Aanduiding	Schroefdraad	Aanspreekdruk	A (mm)	C (mm)	D (mm)	SW (mm)
K- 07 30 08 78	G 1/4"		40.0 bar	18,0	75,0	10,0	20
K- 07 30 08 79	G 1/4"		41.0 bar	18,0	82,0	10,0	20
K- 07 30 08 80	G 1/4"		42.0 bar	18,0	82,0	10,0	20
K- 07 30 08 81	G 1/4"		43.0 bar	18,0	82,0	10,0	20
K- 07 30 08 82	G 1/4"		43.4 bar	18,0	82,0	10,0	20
K- 07 30 08 83	G 1/4"		43.5 bar	18,0	82,0	10,0	20
K- 07 30 08 84	G 1/4"		44.0 bar	18,0	82,0	10,0	20
K- 07 30 08 85	G 1/4"		44.8 bar	18,0	82,0	10,0	20
K- 07 30 08 86	G 1/4"		45.0 bar	18,0	82,0	10,0	20
K- 07 30 08 87	G 1/4"		47.0 bar	18,0	82,0	10,0	20
K- 07 30 08 88	G 1/4"		47.5 bar	18,0	82,0	10,0	20
K- 07 30 08 89	G 1/4"		48.0 bar	18,0	82,0	10,0	20
K- 07 30 08 98	G 1/4"		50.0 bar	18,0	82,0	10,0	20
K- 07 30 09 32	G 3/8"		0.2 bar	20,0	63,0	12,0	20
K- 07 30 09 33	G 3/8"		0.3 bar	20,0	63,0	12,0	20
K- 07 30 09 34	G 3/8"		0.35 bar	20,0	63,0	12,0	20
K- 07 30 09 35	G 3/8"		0.4 bar	20,0	63,0	12,0	20
K- 07 30 09 36	G 3/8"		0.5 bar	20,0	63,0	12,0	20
K- 07 30 09 37	G 3/8"		0.6 bar	20,0	63,0	12,0	20
K- 07 30 09 38	G 3/8"		0.65 bar	20,0	63,0	12,0	20
K- 07 30 09 39	G 3/8"		0.7 bar	20,0	63,0	12,0	20
K- 07 30 09 40	G 3/8"		0.8 bar	20,0	63,0	12,0	20
K- 07 30 09 41	G 3/8"		0.9 bar	20,0	63,0	12,0	20
K- 07 30 09 42	G 3/8"		1.0 bar	20,0	63,0	12,0	20
K- 07 30 09 43	G 3/8"		1.1 bar	20,0	63,0	12,0	20
K- 07 30 09 44	G 3/8"		1.2 bar	20,0	63,0	12,0	20
K- 07 30 09 45	G 3/8"		1.3 bar	20,0	63,0	12,0	20
K- 07 30 09 46	G 3/8"		1.4 bar	20,0	63,0	12,0	20
K- 07 30 09 47	G 3/8"		1.5 bar	20,0	63,0	12,0	20
K- 07 30 09 48	G 3/8"		1.6 bar	20,0	63,0	12,0	20
K- 07 30 09 49	G 3/8"		1.7 bar	20,0	63,0	12,0	20
K- 07 30 09 50	G 3/8"		1.8 bar	20,0	63,0	12,0	20
K- 07 30 09 51	G 3/8"		1.9 bar	20,0	63,0	12,0	20
K- 07 30 09 85	G 3/8"		2.0 bar	20,0	63,0	12,0	20
K- 07 30 09 86	G 3/8"		2.1 bar	20,0	63,0	12,0	20
K- 07 30 09 87	G 3/8"		2.2 bar	20,0	63,0	12,0	20
K- 07 30 09 88	G 3/8"		2.3 bar	20,0	63,0	12,0	20
K- 07 30 09 89	G 3/8"		2.5 bar	20,0	63,0	12,0	20
K- 07 30 09 90	G 3/8"		2.6 bar	20,0	63,0	12,0	20
K- 07 30 09 91	G 3/8"		2.7 bar	20,0	63,0	12,0	20
K- 07 30 09 92	G 3/8"		2.8 bar	20,0	63,0	12,0	20
K- 07 30 09 93	G 3/8"		2.9 bar	20,0	63,0	12,0	20
K- 07 30 10 13	G 3/8"		3.0 bar	20,0	63,0	12,0	20
K- 07 30 10 14	G 3/8"		3.3 bar	20,0	63,0	12,0	20
K- 07 30 10 15	G 3/8"		3.5 bar	20,0	63,0	12,0	20
K- 07 30 10 16	G 3/8"		3.6 bar	20,0	63,0	12,0	20
K- 07 30 10 17	G 3/8"		3.7 bar	20,0	63,0	12,0	20
K- 07 30 10 18	G 3/8"		3.8 bar	20,0	63,0	12,0	20
K- 07 30 10 36	G 3/8"		4.0 bar	20,0	63,0	12,0	20
K- 07 30 10 37	G 3/8"		4.4 bar	20,0	63,0	12,0	20
K- 07 30 10 38	G 3/8"		4.5 bar	20,0	63,0	12,0	20
K- 07 30 10 39	G 3/8"		4.6 bar	20,0	63,0	12,0	20
K- 07 30 10 40	G 3/8"		4.7 bar	20,0	63,0	12,0	20
K- 07 30 10 41	G 3/8"		4.8 bar	20,0	63,0	12,0	20
K- 07 30 10 42	G 3/8"		4.9 bar	20,0	63,0	12,0	20
K- 07 30 10 51	G 3/8"		5.0 bar	20,0	63,0	12,0	20
K- 07 30 10 52	G 3/8"		5.3 bar	20,0	63,0	12,0	20
K- 07 30 10 53	G 3/8"		5.4 bar	20,0	63,0	12,0	20
K- 07 30 10 54	G 3/8"		5.5 bar	20,0	63,0	12,0	20
K- 07 30 10 55	G 3/8"		5.6 bar	20,0	63,0	12,0	20
K- 07 30 10 56	G 3/8"		5.8 bar	20,0	63,0	12,0	20
K- 07 30 10 58	G 3/8"		6.0 bar	20,0	63,0	12,0	20
K- 07 30 10 59	G 3/8"		6.1 bar	20,0	63,0	12,0	20



Artikel	Aanduiding	Schroefdraad	Aanspreekdruk	A (mm)	C (mm)	D (mm)	SW (mm)
K- 07 30 10 60	G 3/8"		6.2 bar	20,0	63,0	12,0	20
K- 07 30 10 61	G 3/8"		6.3 bar	20,0	63,0	12,0	20
K- 07 30 10 62	G 3/8"		6.4 bar	20,0	63,0	12,0	20
K- 07 30 10 63	G 3/8"		6.5 bar	20,0	63,0	12,0	20
K- 07 30 10 64	G 3/8"		6.6 bar	20,0	63,0	12,0	20
K- 07 30 10 65	G 3/8"		6.9 bar	20,0	63,0	12,0	20
K- 07 30 10 66	G 3/8"		7.0 bar	20,0	63,0	12,0	20
K- 07 30 10 67	G 3/8"		7.1 bar	20,0	63,0	12,0	20
K- 07 30 10 68	G 3/8"		7.5 bar	20,0	63,0	12,0	20
K- 07 30 10 69	G 3/8"		7.7 bar	20,0	63,0	12,0	20
K- 07 30 10 70	G 3/8"		7.9 bar	20,0	63,0	12,0	20
K- 07 30 10 71	G 3/8"		8.0 bar	20,0	63,0	12,0	20
K- 07 30 10 72	G 3/8"		8.1 bar	20,0	63,0	12,0	20
K- 07 30 10 73	G 3/8"		8.2 bar	20,0	63,0	12,0	20
K- 07 30 10 74	G 3/8"		8.3 bar	20,0	63,0	12,0	20
K- 07 30 10 75	G 3/8"		8.5 bar	20,0	63,0	12,0	20
K- 07 30 10 76	G 3/8"		8.6 bar	20,0	63,0	12,0	20
K- 07 30 10 77	G 3/8"		8.8 bar	20,0	63,0	12,0	20
K- 07 30 10 78	G 3/8"		9.0 bar	20,0	63,0	12,0	20
K- 07 30 10 79	G 3/8"		9.3 bar	20,0	63,0	12,0	20
K- 07 30 10 80	G 3/8"		9.4 bar	20,0	63,0	12,0	20
K- 07 30 10 81	G 3/8"		9.5 bar	20,0	63,0	12,0	20
K- 07 30 10 82	G 3/8"		9.9 bar	20,0	63,0	12,0	20
K- 07 30 09 52	G 3/8"		10.0 bar	20,0	63,0	12,0	20
K- 07 30 09 53	G 3/8"		10.1 bar	20,0	63,0	12,0	20
K- 07 30 09 54	G 3/8"		10.2 bar	20,0	63,0	12,0	20
K- 07 30 09 55	G 3/8"		10.3 bar	20,0	63,0	12,0	20
K- 07 30 09 56	G 3/8"		10.5 bar	20,0	63,0	12,0	20
K- 07 30 09 57	G 3/8"		10.8 bar	20,0	63,0	12,0	20
K- 07 30 09 58	G 3/8"		11.0 bar	20,0	63,0	12,0	20
K- 07 30 09 59	G 3/8"		11.2 bar	20,0	63,0	12,0	20
K- 07 30 09 60	G 3/8"		11.5 bar	20,0	63,0	12,0	20
K- 07 30 09 61	G 3/8"		11.76 bar	20,0	63,0	12,0	20
K- 07 30 09 62	G 3/8"		12.0 bar	20,0	63,0	12,0	20
K- 07 30 09 63	G 3/8"		12.2 bar	20,0	63,0	12,0	20
K- 07 30 09 64	G 3/8"		12.4 bar	20,0	63,0	12,0	20
K- 07 30 09 65	G 3/8"		12.5 bar	20,0	63,0	12,0	20
K- 07 30 09 66	G 3/8"		13.0 bar	20,0	63,0	12,0	20
K- 07 30 09 67	G 3/8"		14.0 bar	20,0	63,0	12,0	20
K- 07 30 09 68	G 3/8"		14.2 bar	20,0	63,0	12,0	20
K- 07 30 09 69	G 3/8"		14.3 bar	20,0	75,0	12,0	20
K- 07 30 09 70	G 3/8"		14.5 bar	20,0	75,0	12,0	20
K- 07 30 09 71	G 3/8"		15.0 bar	20,0	75,0	12,0	20
K- 07 30 09 72	G 3/8"		15.1 bar	20,0	75,0	12,0	20
K- 07 30 09 73	G 3/8"		15.2 bar	20,0	75,0	12,0	20
K- 07 30 09 74	G 3/8"		15.3 bar	20,0	75,0	12,0	20
K- 07 30 09 75	G 3/8"		15.4 bar	20,0	75,0	12,0	20
K- 07 30 09 76	G 3/8"		15.5 bar	20,0	75,0	12,0	20
K- 07 30 09 77	G 3/8"		16.0 bar	20,0	75,0	12,0	20
K- 07 30 09 78	G 3/8"		16.5 bar	20,0	75,0	12,0	20
K- 07 30 09 79	G 3/8"		16.9 bar	20,0	75,0	12,0	20
K- 07 30 09 80	G 3/8"		17.0 bar	20,0	75,0	12,0	20
K- 07 30 09 81	G 3/8"		17.5 bar	20,0	75,0	12,0	20
K- 07 30 09 82	G 3/8"		18.0 bar	20,0	75,0	12,0	20
K- 07 30 09 83	G 3/8"		19.0 bar	20,0	75,0	12,0	20
K- 07 30 09 84	G 3/8"		19.7 bar	20,0	75,0	12,0	20
K- 07 30 09 94	G 3/8"		20.0 bar	20,0	75,0	12,0	20
K- 07 30 09 95	G 3/8"		20.5 bar	20,0	75,0	12,0	20
K- 07 30 09 96	G 3/8"		21.0 bar	20,0	75,0	12,0	20
K- 07 30 09 97	G 3/8"		22.0 bar	20,0	75,0	12,0	20
K- 07 30 09 98	G 3/8"		22.5 bar	20,0	75,0	12,0	20
K- 07 30 09 99	G 3/8"		23.0 bar	20,0	75,0	12,0	20
K- 07 30 10 00	G 3/8"		23.1 bar	20,0	75,0	12,0	20



Artikel	Aanduiding	Schroefdraad	Aanspreekdruk	A (mm)	C (mm)	D (mm)	SW (mm)
K- 07 30 10 01	G 3/8"		23.5 bar	20,0	75,0	12,0	20
K- 07 30 10 02	G 3/8"		24.0 bar	20,0	75,0	12,0	20
K- 07 30 10 03	G 3/8"		24.5 bar	20,0	75,0	12,0	20
K- 07 30 10 04	G 3/8"		25.0 bar	20,0	75,0	12,0	20
K- 07 30 10 05	G 3/8"		25.5 bar	20,0	75,0	12,0	20
K- 07 30 10 06	G 3/8"		26.0 bar	20,0	75,0	12,0	20
K- 07 30 10 07	G 3/8"		26.5 bar	20,0	75,0	12,0	20
K- 07 30 10 08	G 3/8"		27.0 bar	20,0	75,0	12,0	20
K- 07 30 10 09	G 3/8"		27.5 bar	20,0	75,0	12,0	20
K- 07 30 10 10	G 3/8"		28.0 bar	20,0	75,0	12,0	20
K- 07 30 10 11	G 3/8"		29.0 bar	20,0	75,0	12,0	20
K- 07 30 10 12	G 3/8"		29.4 bar	20,0	75,0	12,0	20
K- 07 30 10 19	G 3/8"		30.0 bar	20,0	75,0	12,0	20
K- 07 30 10 20	G 3/8"		30.5 bar	20,0	75,0	12,0	20
K- 07 30 10 21	G 3/8"		31.0 bar	20,0	75,0	12,0	20
K- 07 30 10 22	G 3/8"		32.0 bar	20,0	75,0	12,0	20
K- 07 30 10 23	G 3/8"		33.0 bar	20,0	75,0	12,0	20
K- 07 30 10 24	G 3/8"		33.5 bar	20,0	75,0	12,0	20
K- 07 30 10 25	G 3/8"		34.5 bar	20,0	75,0	12,0	20
K- 07 30 10 26	G 3/8"		35.0 bar	20,0	75,0	12,0	20
K- 07 30 10 27	G 3/8"		35.5 bar	20,0	75,0	12,0	20
K- 07 30 10 28	G 3/8"		36.0 bar	20,0	75,0	12,0	20
K- 07 30 10 29	G 3/8"		36.5 bar	20,0	75,0	12,0	20
K- 07 30 10 30	G 3/8"		37.0 bar	20,0	75,0	12,0	20
K- 07 30 10 31	G 3/8"		37.5 bar	20,0	75,0	12,0	20
K- 07 30 10 32	G 3/8"		38.0 bar	20,0	75,0	12,0	20
K- 07 30 10 33	G 3/8"		38.5 bar	20,0	75,0	12,0	20
K- 07 30 10 34	G 3/8"		39.0 bar	20,0	75,0	12,0	20
K- 07 30 10 35	G 3/8"		39.5 bar	20,0	75,0	12,0	20
K- 07 30 10 43	G 3/8"		40.0 bar	20,0	75,0	12,0	20
K- 07 30 10 44	G 3/8"		40.5 bar	20,0	82,0	12,0	20
K- 07 30 10 45	G 3/8"		41.0 bar	20,0	82,0	12,0	20
K- 07 30 10 46	G 3/8"		41.5 bar	20,0	82,0	12,0	20
K- 07 30 10 47	G 3/8"		43.0 bar	20,0	82,0	12,0	20
K- 07 30 10 48	G 3/8"		44.0 bar	20,0	82,0	12,0	20
K- 07 30 10 49	G 3/8"		45.0 bar	20,0	82,0	12,0	20
K- 07 30 10 50	G 3/8"		47.0 bar	20,0	82,0	12,0	20
K- 07 30 10 57	G 3/8"		50.0 bar	20,0	82,0	12,0	20
K- 07 30 10 83	G 1/2"		0.2 bar	24,0	63,0	14,0	24
K- 07 30 10 84	G 1/2"		0.25 bar	24,0	63,0	14,0	24
K- 07 30 10 85	G 1/2"		0.3 bar	24,0	63,0	14,0	24
K- 07 30 10 86	G 1/2"		0.35 bar	24,0	63,0	14,0	24
K- 07 30 10 87	G 1/2"		0.38 bar	24,0	63,0	14,0	24
K- 07 30 10 88	G 1/2"		0.4 bar	24,0	63,0	14,0	24
K- 07 30 10 89	G 1/2"		0.5 bar	24,0	63,0	14,0	24
K- 07 30 10 90	G 1/2"		0.6 bar	24,0	63,0	14,0	24
K- 07 30 10 91	G 1/2"		0.7 bar	24,0	63,0	14,0	24
K- 07 30 10 92	G 1/2"		0.8 bar	24,0	63,0	14,0	24
K- 07 30 10 93	G 1/2"		0.83 bar	24,0	63,0	14,0	24
K- 07 30 10 94	G 1/2"		0.9 bar	24,0	63,0	14,0	24
K- 07 30 10 95	G 1/2"		1.0 bar	24,0	63,0	14,0	24
K- 07 30 10 96	G 1/2"		1.1 bar	24,0	63,0	14,0	24
K- 07 30 10 97	G 1/2"		1.2 bar	24,0	63,0	14,0	24
K- 07 30 10 98	G 1/2"		1.3 bar	24,0	63,0	14,0	24
K- 07 30 10 99	G 1/2"		1.4 bar	24,0	63,0	14,0	24
K- 07 30 11 00	G 1/2"		1.5 bar	24,0	63,0	14,0	24
K- 07 30 11 01	G 1/2"		1.6 bar	24,0	63,0	14,0	24
K- 07 30 11 02	G 1/2"		1.7 bar	24,0	63,0	14,0	24
K- 07 30 11 03	G 1/2"		1.8 bar	24,0	63,0	14,0	24
K- 07 30 11 04	G 1/2"		1.9 bar	24,0	63,0	14,0	24
K- 07 30 11 39	G 1/2"		2.0 bar	24,0	63,0	14,0	24
K- 07 30 11 40	G 1/2"		2.1 bar	24,0	63,0	14,0	24
K- 07 30 11 41	G 1/2"		2.2 bar	24,0	63,0	14,0	24



Artikel	Aanduiding	Schroefdraad	Aanspreekdruk	A (mm)	C (mm)	D (mm)	SW (mm)
K- 07 30 11 42	G 1/2"		2.3 bar	24,0	63,0	14,0	24
K- 07 30 11 43	G 1/2"		2.5 bar	24,0	63,0	14,0	24
K- 07 30 11 44	G 1/2"		2.6 bar	24,0	63,0	14,0	24
K- 07 30 11 45	G 1/2"		2.7 bar	24,0	63,0	14,0	24
K- 07 30 11 46	G 1/2"		2.8 bar	24,0	63,0	14,0	24
K- 07 30 11 62	G 1/2"		3.0 bar	24,0	63,0	14,0	24
K- 07 30 11 63	G 1/2"		3.2 bar	24,0	63,0	14,0	24
K- 07 30 11 64	G 1/2"		3.3 bar	24,0	63,0	14,0	24
K- 07 30 11 65	G 1/2"		3.5 bar	24,0	63,0	14,0	24
K- 07 30 11 66	G 1/2"		3.6 bar	24,0	63,0	14,0	24
K- 07 30 11 67	G 1/2"		3.7 bar	24,0	63,0	14,0	24
K- 07 30 11 68	G 1/2"		3.8 bar	24,0	63,0	14,0	24
K- 07 30 11 69	G 1/2"		3.9 bar	24,0	63,0	14,0	24
K- 07 30 11 82	G 1/2"		4.0 bar	24,0	63,0	14,0	24
K- 07 30 11 83	G 1/2"		4.2 bar	24,0	63,0	14,0	24
K- 07 30 11 84	G 1/2"		4.3 bar	24,0	63,0	14,0	24
K- 07 30 11 85	G 1/2"		4.5 bar	24,0	63,0	14,0	24
K- 07 30 11 86	G 1/2"		4.6 bar	24,0	63,0	14,0	24
K- 07 30 11 87	G 1/2"		4.8 bar	24,0	63,0	14,0	24
K- 07 30 11 88	G 1/2"		4.9 bar	24,0	63,0	14,0	24
K- 07 30 11 96	G 1/2"		5.0 bar	24,0	63,0	14,0	24
K- 07 30 11 97	G 1/2"		5.2 bar	24,0	63,0	14,0	24
K- 07 30 11 98	G 1/2"		5.3 bar	24,0	63,0	14,0	24
K- 07 30 11 99	G 1/2"		5.4 bar	24,0	63,0	14,0	24
K- 07 30 12 00	G 1/2"		5.5 bar	24,0	63,0	14,0	24
K- 07 30 12 01	G 1/2"		5.6 bar	24,0	63,0	14,0	24
K- 07 30 12 02	G 1/2"		5.8 bar	24,0	63,0	14,0	24
K- 07 30 12 03	G 1/2"		5.9 bar	24,0	63,0	14,0	24
K- 07 30 12 05	G 1/2"		6.0 bar	24,0	63,0	14,0	24
K- 07 30 12 06	G 1/2"		6.2 bar	24,0	63,0	14,0	24
K- 07 30 12 07	G 1/2"		6.3 bar	24,0	63,0	14,0	24
K- 07 30 12 08	G 1/2"		6.4 bar	24,0	63,0	14,0	24
K- 07 30 12 09	G 1/2"		6.5 bar	24,0	63,0	14,0	24
K- 07 30 12 10	G 1/2"		6.6 bar	24,0	63,0	14,0	24
K- 07 30 12 11	G 1/2"		6.8 bar	24,0	63,0	14,0	24
K- 07 30 12 12	G 1/2"		7.0 bar	24,0	63,0	14,0	24
K- 07 30 12 13	G 1/2"		7.2 bar	24,0	63,0	14,0	24
K- 07 30 12 14	G 1/2"		7.4 bar	24,0	63,0	14,0	24
K- 07 30 12 15	G 1/2"		7.5 bar	24,0	63,0	14,0	24
K- 07 30 12 16	G 1/2"		7.6 bar	24,0	63,0	14,0	24
K- 07 30 12 17	G 1/2"		7.7 bar	24,0	63,0	14,0	24
K- 07 30 12 18	G 1/2"		8.0 bar	24,0	63,0	14,0	24
K- 07 30 12 19	G 1/2"		8.1 bar	24,0	63,0	14,0	24
K- 07 30 12 20	G 1/2"		8.3 bar	24,0	63,0	14,0	24
K- 07 30 12 21	G 1/2"		8.4 bar	24,0	63,0	14,0	24
K- 07 30 12 22	G 1/2"		8.5 bar	24,0	63,0	14,0	24
K- 07 30 12 23	G 1/2"		8.6 bar	24,0	63,0	14,0	24
K- 07 30 12 24	G 1/2"		8.7 bar	24,0	63,0	14,0	24
K- 07 30 12 25	G 1/2"		8.8 bar	24,0	63,0	14,0	24
K- 07 30 12 26	G 1/2"		9.0 bar	24,0	63,0	14,0	24
K- 07 30 12 27	G 1/2"		9.3 bar	24,0	63,0	14,0	24
K- 07 30 12 28	G 1/2"		9.5 bar	24,0	63,0	14,0	24
K- 07 30 12 29	G 1/2"		9.6 bar	24,0	63,0	14,0	24
K- 07 30 12 30	G 1/2"		9.8 bar	24,0	63,0	14,0	24
K- 07 30 12 31	G 1/2"		9.9 bar	24,0	63,0	14,0	24
K- 07 30 11 05	G 1/2"		10.0 bar	24,0	63,0	14,0	24
K- 07 30 11 06	G 1/2"		10.1 bar	24,0	63,0	14,0	24
K- 07 30 11 07	G 1/2"		10.2 bar	24,0	63,0	14,0	24
K- 07 30 11 08	G 1/2"		10.3 bar	24,0	63,0	14,0	24
K- 07 30 11 09	G 1/2"		10.5 bar	24,0	63,0	14,0	24
K- 07 30 11 10	G 1/2"		10.7 bar	24,0	63,0	14,0	24
K- 07 30 11 11	G 1/2"		10.8 bar	24,0	63,0	14,0	24
K- 07 30 11 12	G 1/2"		11.0 bar	24,0	63,0	14,0	24



Artikel	Aanduiding	Schroefdraad	Aanspreekdruk	A (mm)	C (mm)	D (mm)	SW (mm)
K- 07 30 11 13	G 1/2"		11.5 bar	24,0	63,0	14,0	24
K- 07 30 11 14	G 1/2"		12.0 bar	24,0	63,0	14,0	24
K- 07 30 11 15	G 1/2"		12.5 bar	24,0	63,0	14,0	24
K- 07 30 11 16	G 1/2"		13.0 bar	24,0	63,0	14,0	24
K- 07 30 11 17	G 1/2"		13.2 bar	24,0	63,0	14,0	24
K- 07 30 11 18	G 1/2"		13.5 bar	24,0	63,0	14,0	24
K- 07 30 11 19	G 1/2"		14.0 bar	24,0	63,0	14,0	24
K- 07 30 11 20	G 1/2"		14.2 bar	24,0	63,0	14,0	24
K- 07 30 11 21	G 1/2"		14.3 bar	24,0	75,0	14,0	24
K- 07 30 11 22	G 1/2"		15.0 bar	24,0	75,0	14,0	24
K- 07 30 11 23	G 1/2"		15.1 bar	24,0	75,0	14,0	24
K- 07 30 11 24	G 1/2"		15.2 bar	24,0	75,0	14,0	24
K- 07 30 11 25	G 1/2"		15.4 bar	24,0	75,0	14,0	24
K- 07 30 11 26	G 1/2"		15.5 bar	24,0	75,0	14,0	24
K- 07 30 11 27	G 1/2"		16.0 bar	24,0	75,0	14,0	24
K- 07 30 11 28	G 1/2"		16.5 bar	24,0	75,0	14,0	24
K- 07 30 11 29	G 1/2"		16.8 bar	24,0	75,0	14,0	24
K- 07 30 11 30	G 1/2"		16.9 bar	24,0	75,0	14,0	24
K- 07 30 11 31	G 1/2"		17.0 bar	24,0	75,0	14,0	24
K- 07 30 11 32	G 1/2"		17.1 bar	24,0	75,0	14,0	24
K- 07 30 11 33	G 1/2"		17.5 bar	24,0	75,0	14,0	24
K- 07 30 11 34	G 1/2"		18.0 bar	24,0	75,0	14,0	24
K- 07 30 11 35	G 1/2"		18.5 bar	24,0	75,0	14,0	24
K- 07 30 11 36	G 1/2"		19.0 bar	24,0	75,0	14,0	24
K- 07 30 11 37	G 1/2"		19.5 bar	24,0	75,0	14,0	24
K- 07 30 11 38	G 1/2"		19.6 bar	24,0	75,0	14,0	24
K- 07 30 11 47	G 1/2"		20.0 bar	24,0	75,0	14,0	24
K- 07 30 11 48	G 1/2"		20.5 bar	24,0	75,0	14,0	24
K- 07 30 11 49	G 1/2"		21.0 bar	24,0	75,0	14,0	24
K- 07 30 11 50	G 1/2"		22.0 bar	24,0	75,0	14,0	24
K- 07 30 11 51	G 1/2"		23.0 bar	24,0	75,0	14,0	24
K- 07 30 11 52	G 1/2"		23.5 bar	24,0	75,0	14,0	24
K- 07 30 11 53	G 1/2"		24.0 bar	24,0	75,0	14,0	24
K- 07 30 11 54	G 1/2"		25.0 bar	24,0	75,0	14,0	24
K- 07 30 11 55	G 1/2"		25.5 bar	24,0	75,0	14,0	24
K- 07 30 11 56	G 1/2"		26.0 bar	24,0	75,0	14,0	24
K- 07 30 11 57	G 1/2"		27.0 bar	24,0	75,0	14,0	24
K- 07 30 11 58	G 1/2"		27.5 bar	24,0	75,0	14,0	24
K- 07 30 11 59	G 1/2"		28.0 bar	24,0	75,0	14,0	24
K- 07 30 11 60	G 1/2"		28.5 bar	24,0	75,0	14,0	24
K- 07 30 11 61	G 1/2"		29.5 bar	24,0	75,0	14,0	24
K- 07 30 11 70	G 1/2"		30.0 bar	24,0	75,0	14,0	24
K- 07 30 11 71	G 1/2"		30.5 bar	24,0	75,0	14,0	24
K- 07 30 11 72	G 1/2"		31.0 bar	24,0	75,0	14,0	24
K- 07 30 11 73	G 1/2"		32.0 bar	24,0	75,0	14,0	24
K- 07 30 11 74	G 1/2"		32.5 bar	24,0	75,0	14,0	24
K- 07 30 11 75	G 1/2"		33.0 bar	24,0	75,0	14,0	24
K- 07 30 11 76	G 1/2"		34.0 bar	24,0	75,0	14,0	24
K- 07 30 11 77	G 1/2"		34.5 bar	24,0	75,0	14,0	24
K- 07 30 11 78	G 1/2"		35.0 bar	24,0	75,0	14,0	24
K- 07 30 11 79	G 1/2"		36.0 bar	24,0	75,0	14,0	24
K- 07 30 11 80	G 1/2"		37.5 bar	24,0	75,0	14,0	24
K- 07 30 11 81	G 1/2"		39.0 bar	24,0	75,0	14,0	24
K- 07 30 11 89	G 1/2"		40.0 bar	24,0	75,0	14,0	24
K- 07 30 11 90	G 1/2"		40.5 bar	24,0	82,0	14,0	24
K- 07 30 11 91	G 1/2"		41.0 bar	24,0	82,0	14,0	24
K- 07 30 11 92	G 1/2"		42.0 bar	24,0	82,0	14,0	24
K- 07 30 11 93	G 1/2"		45.0 bar	24,0	82,0	14,0	24
K- 07 30 11 94	G 1/2"		46.0 bar	24,0	82,0	14,0	24
K- 07 30 11 95	G 1/2"		47.0 bar	24,0	82,0	14,0	24
K- 07 30 12 04	G 1/2"		50.0 bar	24,0	82,0	14,0	24