

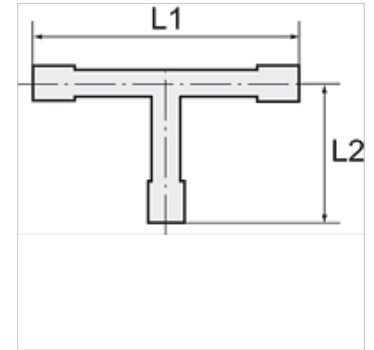
# K-T-SCHLAUCH VB STUTZEN POM

Tee hose connectors, POM

**HANSA FLEX**

## Eigenschappen

Temperatuurgebied -40 °C to +90 °C



## Aanwijzing

Andere gegevens op aanvraag.

## Beschrijving

Lightweight tube connectors distinguished by high strength, toughness, resistance to abrasion and impact resistance. Resistant to: Acetone, benzene, benzene, butane, alcohols, diesel fuels, crude oil, natural gas, ethanol, fruit juices, glycerine, fuel oil, hydraulic fluids, aliphatic ketones, carbon dioxide, carbonic acid, engine oils, methanol, propane, liquefied gas, lubricating oils, lubricating greases, town gas, washing liquor and water.

## Artikel

Aanduiding	voor slang	L1 (mm)	L2 (mm)	max. toegestane overdruk (bar)
K- 07 40 17 28	LW 3 mm	25,0	12,5	10
K- 07 40 17 29	LW 4 mm	35,0	19,5	10
K- 07 40 17 30	LW 5 mm	42,0	22,0	10
K- 07 40 17 31	LW 6 mm	50,0	26,0	10
K- 07 40 17 32	LW 8 mm	58,0	30,0	10
K- 07 40 17 33	LW 10 mm	62,5	33,5	10
K- 07 40 17 34	LW 12 mm	69,0	36,0	10
K- 07 40 17 35	LW 13 mm	69,0	36,0	10
K- 07 40 17 36	LW 16 mm	81,0	45,0	10
K- 07 40 17 37	LW 19 mm	85,0	45,0	10
K- 07 40 46 58	LW 25 mm	105,0	52,5	10