

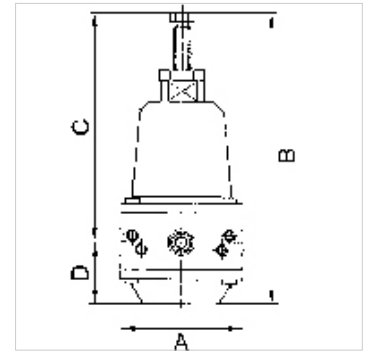
K-PRAEZI DRUCKREGLER MEM

Precision pressure regulators

HANSA FLEX

Eigenschappen

| | |
|-----------------------|---|
| Ingangsdruk | Max. 16 bar |
| Mediumtemperatuur | max. 60 °C |
| Omgevingstemperatuur | Max. 60 °C |
| Middelen | Micro-filtered, unoiled compressed air (0.01 µm) |
| Aansluiting manometer | G 1/4 |
| Afdichtmateriaal | NBR |
| Behuizing | Die-cast zinc |
| Eigen luchtverbruik | 0.01 l/min, depending on input pressure and control range |



Aanwijzing

The given flow rates are based on the following parameters: 750 l/min: P1: 8 bar, P2: 2 bar, $\Delta p \leq 0.2$ bar

750 l/min: P1: 8 bar, P2: 3 bar, $\Delta p \leq 0.5$ bar

750 l/min: P1: 8 bar, P2: 5 bar, $\Delta p \leq 0.7$ bar

Andere gegevens op aanvraag.

Beschrijving

Diaphragm pressure regulators containing no non-ferrous metals, with self-relieving design for applications requiring an precise working pressure.

Extra informatie

1500 l/min: P1: 10 bar, P2: 7 bar, $\Delta p \leq 0.1$ bar.

Artikel

| Aanduiding | Schroefdraad | Regelbereik | Debiet (L/min) | A (mm) | B | C (mm) | D (mm) |
|----------------|--------------|-------------|----------------|--------|----------|--------|--------|
| K- 07 25 09 36 | G 1/4 | 0.1 - 2 bar | 750 | 60,0 | 152,0 mm | 120,0 | 32,0 |
| K- 07 25 09 37 | G 1/4 | 0.1 - 3 bar | 750 | 60,0 | 152,0 mm | 120,0 | 32,0 |
| K- 07 25 09 38 | G 1/4 | 0.2 - 5 bar | 750 | 60,0 | 152,0 mm | 120,0 | 32,0 |

Reserveonderdelen

| | |
|--------------------------|--------------------------------------|
| K-HALTERBAUSATZ STANDARD | Holder |
| K-VERSCHLEI-SATZ | Set of wearing parts |
| K-FILTERELEMENT | Filter element |
| K-XV AGM 2 | Double nipples, parallel male thread |