

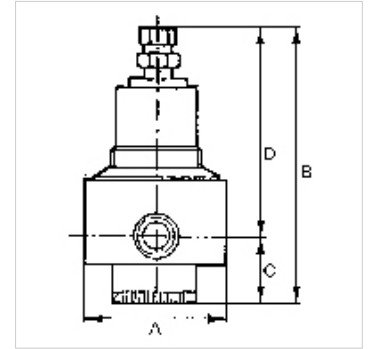
K-DRG RUECKSTERERBAR M MANO VA

Reversible, stainless steel pressure regulators with self-relieving design, stainless steel pressure gauge

HANSA FLEX

Eigenschappen

Ingangsdruk	Max. 30 bar (Control range 0.5 - 8.0 bar), Max. 50 bar (Control range 1.0 - 15.0 bar)
Mediumtemperatuur	max. 80 °C
Omgevingstemperatuur	Max. 80 °C
Afdichtmateriaal	FKM
Membranen	PTFE
Materiaal	stainless steel 1.4404 (AISI 316L)
Debietwaardemeting	At P1 = 8 bar, P2 = 6 bar and pressure drop $\Delta p \leq 1$ bar



Aanwijzing

Andere gegevens op aanvraag.

Beschrijving

Stainless steel regulators containing no non-ferrous metals for use in the food processing, chemical, mining, plant construction and special machinery industries as well as in the medical technology.

Bestelaanwijzingen

NPT thread available on request

Artikel

Aanduiding	Schroefdraad	Regelbereik	Debiet (L/min)	A (mm)	B	C (mm)	D (mm)
K- 07 25 02 06	G 1/4	0.5 - 8.0 bar	200	65,0	162,0 mm	37,0	125,0
K- 07 25 02 07	G 1/4	1.0 - 15.0 bar	330	65,0	162,0 mm	37,0	125,0
K- 07 25 02 04	G 1/2	0.5 - 8.0 bar	660	80,0	164,0 mm	37,0	127,0
K- 07 25 02 05	G 1/2	1.0 - 15.0 bar	1800	80,0	164,0 mm	37,0	127,0

Reserveonderdelen

K-HALTERBAUSATZ EDELSTAHL	Holder
K-MANO	Pressure gauges (CrNi steel type / connection on rear)
K-VERSCHLEI-SATZ	Set of wearing parts