

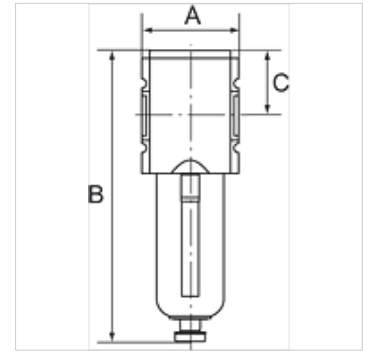
K-FI AK KOH PC-BEHAE SCHUTZK HANSA

Activated carbon filters

HANSA FLEX

Eigenschappen

Ingangsdruk	0 - 16 bar
Temperatuurgebied	-10 °C to +50 °C
Middelen	Perslucht
Aansluitschroefdraad	Material: Die-cast zinc
Container	Polycarbonate (with bayonet lock)
Filterelement	Activated carbon
Behuizing	Material: Grivory® (PA 66)
Veiligheidsmand	Polyamide
Restoliegehalte	0.005 mg/m ³ , class 0 acc. to DIN ISO 8573-1
Debietwaardemeting	At P2 = 6 bar and pressure drop $\Delta p = 0.5$ bar



Aanwijzing

Andere gegevens op aanvraag.

Beschrijving

Activated carbon filters in modern design for compliance with strict compressed air purity requirements. Activated carbon filters are used to absorb oil vapour up to a residual oil content of 0.005 mg/m³ from compressed air and gases.

Artikel

Aanduiding	Schroefdraad	Debiet (L/min)	A (mm)	B	C (mm)
K- 07 25 10 41	G 1/4	500	52,0	157,0 mm	34,0
K- 07 25 10 42	G 3/8	500	52,0	157,0 mm	34,0
K- 07 25 10 43	G 3/8	1600	63,0	183,0 mm	42,5
K- 07 25 10 44	G 1/2	1600	63,0	183,0 mm	42,5
K- 07 25 10 23	G 3/4	3000	85,0	240,5 mm	58,0
K- 07 25 10 24	G 1	3000	85,0	240,5 mm	58,0

Reserveonderdelen

K-HALTERBAUSATZ HANSA	Holder HANSA
K-ERSATZBEHAELTER HANSA POLY	Spare tank HANSA polycarbonat