

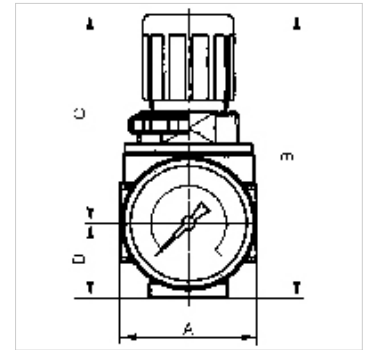
K-DRG DRVS MULTIFIX MINI

Pressure regulators with pressure supply at both ends

HANSA FLEX

Eigenschappen

| | |
|----------------------|--|
| Ingangsdruk | Max. 16 bar |
| Mediumtemperatuur | max. 60 °C |
| Omgevingstemperatuur | Max. 60 °C |
| Afdichtmateriaal | NBR |
| Veerkap | POM-brass |
| Behuizing | Die-cast zinc |
| Debietwaardemeting | At P1 = 8 bar, P2 = 6 bar and pressure drop Δp = 1 bar |



Aanwijzing

Andere gegevens op aanvraag.

Beschrijving

Diaphragm pressure regulators with self-relieving design for mounting side by side. The pressure setting can be locked by pushing the button down.

By assembling two or more controllers together, it is possible to supply several working air circuits with different output pressures via a single supply line.

Bestelaanwijzingen

The port for the output pressure (P2) is on the rear! K-07250028: G 1/8. Lockable pressure regulator: K-07250027. If several devices in the »multifix-mini« Series are assembled together, the maximum working pressure is 12 bar.

Artikel

| Aanduiding | Schroefdraad | Regelbereik | Debiet (L/min) | A (mm) | B | C (mm) | D (mm) | DN | Maat |
|----------------|--------------|--------------|----------------|--------|---------|--------|--------|----|------|
| K- 07 25 00 28 | G 1/4 | 0.1 - 3 bar | 1200 | 40,0 | 85,0 mm | 63,0 | 22,0 | 5 | 0 |
| K- 07 25 00 29 | G 1/4 | 0.2 - 6 bar | 1200 | 40,0 | 85,0 mm | 63,0 | 22,0 | 5 | 0 |
| K- 07 25 00 27 | G 1/4 | 0.5 - 10 bar | 1200 | 40,0 | 85,0 mm | 63,0 | 22,0 | 5 | 0 |

Reserveonderdelen

| | |
|---------------------|----------------------|
| K-HALTERBAUSATZ | Holder |
| K-SCHALTTAFELMUTTER | Nut |
| K-KOPPELPAKET MEHR | Coupling packet |
| K-VERSCHLEI-SATZ | Set of wearing parts |