

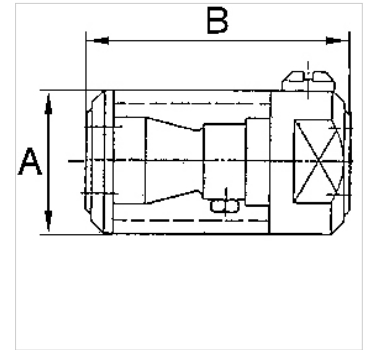
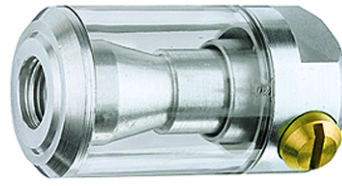
K-NEBELOELER MINI

Mini oil-mist lubricator

HANSA FLEX

Eigenschappen

Werkdruk	min. 2 bar - max. 6 bar
Mediumtemperatuur	max. 50 °C
Omgevingstemperatuur	Max. 50 °C
Inbouwpositie doorstroomrichting	Oil intake at the lowest point/any
Oliereservoir	Polycarbonate
Oliesoort	CL 32 acc. to DIN 51517 - ISO VG 32



Aanwijzing

Andere gegevens op aanvraag.

Beschrijving

For mounting on pneumatic impact tools (nail drivers, tackers, screwdrivers) which work intermittently. Also suitable for tools with continuous compressed air demand (grinding and polishing machines). Fixed drip rate: Approx. 0.4 cm³ per 100 work cycles, one filling = 3000 work cycles. Oil consumption in continuous operation (at 6 bar): 0.15 cm³ / Nm³ (varies depending on ambient temperature and oil used).

Artikel

Aanduiding	Schroefdraad	A (mm)	B	DN
K- 07 25 09 11	G 1/4	33,0	60,0 mm	8
K- 07 25 09 12	G 3/8	33,0	60,0 mm	8