

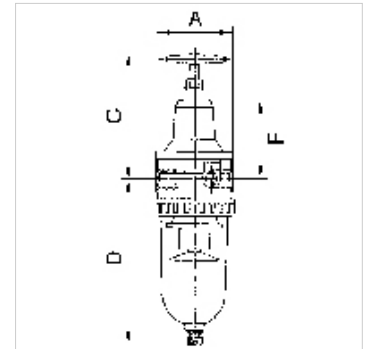
# K-FI REGL PC-BEHAEEL S H ABL STANDAR

Filter regulators with polycarbonate bowl, bowl guard and semi-automatic drain valve

**HANSA FLEX**

## Eigenschappen

Ingangsdruk	Max. 16 bar (polycarbonate bowl), Max. 25 bar (metal bowl)
Regelbereik	0,5 to 10 bar (polycarbonate bowl), 0,5 to 16 bar (metal bowl)
Mediumtemperatuur	max. 60 °C
Omgevingstemperatuur	Max. 60 °C
Porienwijdte in het filterelement	5 µm (Size 1 / Size 3), 40 µm (Size 2 / Size 4)
Afdichtmateriaal	NBR
Behuizing	Die-cast zinc (G1/4 to G1/2), silver painted\ aluminium (G3/4 to G1), silver painted
Debietwaardemeting	At P1 = 8 bar, P2 = 6 bar and pressure drop $\Delta p = 1$ bar



## Aanwijzing

Andere gegevens op aanvraag.

## Beschrijving

Reversible diaphragm pressure regulators, independent of inlet pressure, with selfrelieving design, combined with a centrifugal separator.

## Artikel

Aanduiding	Schroefdraad	Debiet (L/min)	A (mm)	C (mm)	D (mm)	DN	F (mm)
K- 07 25 06 68	G 1/4	900	54,0	106,5	129,7	8	62,0
K- 07 25 06 71	G 3/8	900	54,0	106,5	129,7	8	62,0
K- 07 25 06 74	G 3/8	1500	70,0	120,5	145,9	11	76,5
K- 07 25 06 78	G 1/2	3000	82,0	130,0	169,4	14	83,0
K- 07 25 06 81	G 3/4	7000	125,0	190,6	261,4	25	145,0
K- 07 25 06 84	G 1	7000	125,0	190,6	261,4	25	145,0

## Reserveonderdelen

K-HALTERBAUSATZ STANDARD	Holder
K-SCHUTZKORB G	Protective cage
K-FILTERELEMENT	Filter element
K-VERSCHLEI-SATZ	Set of wearing parts
K-XV AGM MS NI	Double nipples, parallel male thread, nickel-plated brass
K-LOESBARE DOPPELNIPPEL MS	Double nipples
K-ABLASSVENTIL AUTO	Fully-automatic drain valve with Adapter G 1/8
K-AUTOMAT ABLASSVENTIL	Automatic drain valve