

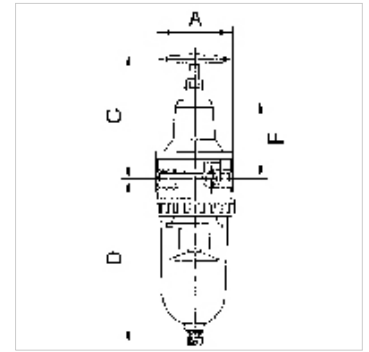
K-FI REGL METALLBEHAE M ABLV STANDA

Filter regulators with metal bowl and manual drain valve

HANSA FLEX

Eigenschappen

Ingangsdruk	Max. 16 bar (polycarbonate bowl), Max. 25 bar (metal bowl)
Regelbereik	0.5 to 10 bar (polycarbonate bowl), 0.5 to 16 bar (metal bowl)
Mediumtemperatuur	max. 60 °C
Omgevingstemperatuur	Max. 60 °C
Porienwijdte in het filterelement	5 µm (Size 1 / Size 3), 40 µm (Size 2 / Size 4)
Afdichtmateriaal	NBR
Behuizing	Die-cast zinc (G1/4 to G1/2), silver painted\ aluminium (G3/4 to G1), silver painted
Debietwaardemeting	At P1 = 8 bar, P2 = 6 bar and pressure drop $\Delta p = 1$ bar



Aanwijzing

Andere gegevens op aanvraag.

Beschrijving

Reversible diaphragm pressure regulators, independent of inlet pressure, with selfrelieving design, combined with a centrifugal separator.

Artikel

Aanduiding	Schroefdraad	Debiet (L/min)	A (mm)	C (mm)	D (mm)	DN	F (mm)
K- 07 25 06 69	G 1/4	900	54,0	106,5	133,5	8	62,0
K- 07 25 06 72	G 3/8	900	54,0	106,5	133,5	8	62,0
K- 07 25 06 75	G 3/8	1500	70,0	120,5	161,0	11	76,5
K- 07 25 06 77	G 1/2	3000	82,0	130,0	172,0	14	83,0
K- 07 25 06 80	G 3/4	7000	125,0	190,6	264,0	25	145,0
K- 07 25 06 83	G 1	7000	125,0	190,6	264,0	25	145,0

Reserveonderdelen

K-HALTERBAUSATZ STANDARD	Holder
K-SCHUTZKORB G	Protective cage
K-FILTERELEMENT	Filter element
K-VERSCHLEI-SATZ	Set of wearing parts
K-XV AGM MS NI	Double nipples, parallel male thread, nickel-plated brass
K-LOESBARE DOPPELNIPPEL MS	Double nipples
K-ABLASSVENTIL AUTO	Fully-automatic drain valve with Adapter G 1/8
K-AUTOMAT ABLASSVENTIL	Automatic drain valve