

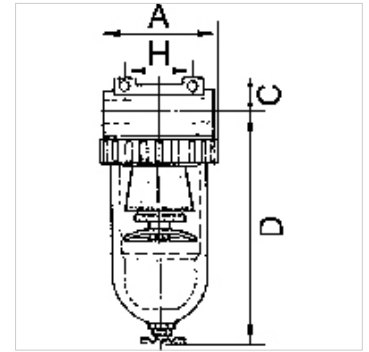
# K-FI SPEZI METALLBEHAEL M STANDAD

Special filters with metal bowl and manual drain valve

**HANSA FLEX**

## Eigenschappen

|                                  |   |
|----------------------------------|---|
| Ingangsdruk                      | Max. 16 bar (polycarbonate bowl / bowl guard), Max. 25 bar (metal bowl) |
| Mediumtemperatuur                | max. 50 °C  |
| Omgevingstemperatuur             | Max. 50 °C  |
| Rendement                        | 99.999 %  |
| Poriënwijde in het filterelement | 0.01 µm   |
| Behuizing                        | Die-cast zinc, painted silver   |
| Debietwaardemeting               | At P2 = 6 bar and pressure drop $\Delta p = 1$ bar                      |



## Aanwijzing

Andere gegevens op aanvraag.

## Beschrijving

For all applications with particularly strict compressed air purity requirements. The separating efficiency of these filters permits very fine oil vapour particles and micro-fine suspended particles to be filtered. A standard filter should always be connected upstream to trap coarse impurities and protect the micro-filter inserts.

## Artikel

| Aanduiding     | Schroefdraad | Debiet<br>(L/min) | A<br>(mm) | C<br>(mm) | D<br>(mm) | H<br>(mm) | DN |
|----------------|--------------|-------------------|-----------|-----------|-----------|-----------|----|
| K- 07 25 10 74 | G 1/4        | 380               | 48,0      | 14,0      | 133,5     | 38,0      | 6  |
| K- 07 25 10 77 | G 3/8        | 380               | 48,0      | 14,0      | 133,5     | 38,0      | 6  |
| K- 07 25 10 79 | G 3/8        | 720               | 70,0      | 16,0      | 159,0     | 50,0      | 10 |
| K- 07 25 10 81 | G 1/2        | 1250              | 79,0      | 18,0      | 171,0     | 50,0      | 15 |
| K- 07 25 10 84 | G 3/4        | 7000              | 133,0     | 36,0      | 206,0     | 134,0     | 20 |
| K- 07 25 10 87 | G 1          | 7000              | 133,0     | 36,0      | 206,0     | 120,0     | 25 |

## Reserveonderdelen

|                            |   |
|----------------------------|---|
| K-HALTERBAUSATZ STANDARD   | Holder  |
| K-FILTERELEMENT STANDARD   | Filter element  |
| K-SCHUTZKORB G             | Protective cage   |
| K-XV AGM MS NI             | Double nipples,<br>parallel male<br>thread, nickel-<br>plated brass |
| K-LOESBARE DOPPELNIPPEL MS | Double nipples  |