

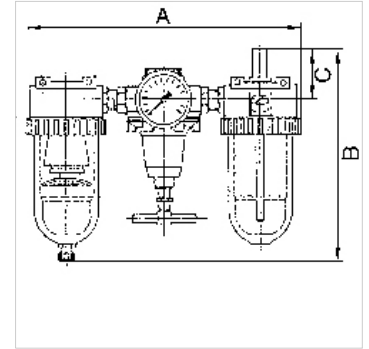
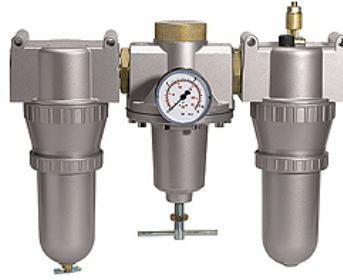
# K-WTEH 3-TLG MET M ABLV TRO STANDAD

Service units with metal bowl and manual drain valve, metal sight dome

**HANSA FLEX**

## Eigenschappen

<b>Ingangsdruk</b>	Max. 16 bar (polycarbonate bowl / bowl guard), Max. 25 bar (metal bowl)
<b>Regelbereik</b>	0.5 to 10 bar (polycarbonate bowl / bowl guard) 0.5 to 16 bar (metal bowl)
<b>Mediumtemperatuur</b>	max. 60 °C
<b>Omgevingstemperatuur</b>	Max. 60 °C
<b>Porienwijdte in het filterelement</b>	5 µm (G 1/4 / G 3/8 / G 1/2), 40 µm (G 3/8 / G 3/4 / G 1 / G 1 1/4 / G 1 1/2)
<b>Afdichtmateriaal</b>	NBR
<b>Behuizing</b>	Die-cast zinc / Aluminium, painted silver
<b>Druppelopzet</b>	PA (polycarbonate bowl), Zinc-glass-NBR (metal bowl)
<b>Debietwaardemeting</b>	At P1 = 8 bar, P2 = 6 bar and pressure drop $\Delta p = 1$ bar
<b>Overige gegevens</b>	User manual on request



## Beschrijving

Three-piece service units consisting of a reversible diaphragm pressure regulator, independent of inlet pressure, with self-relieving design, centrifugal separator and proportional lubricator.

## Artikel

Aanduiding	Schroefdraad	Debiet (L/min)	A (mm)	B	C (mm)	DN	Ø manometer
K- 07 25 14 50	G 1/4	600	172,0	184,5 mm	51,0	6	50
K- 07 25 14 57	G 3/8	600	185,0	184,5 mm	51,0	6	50
K- 07 25 14 60	G 3/8	1400	232,0	210,0 mm	51,0	6	50
K- 07 25 14 63	G 1/2	3200	259,0	226,0 mm	55,0	15	63
K- 07 25 14 66	G 3/4	3200	302,0	230,5 mm	58,0	20	63
K- 07 25 14 69	G 1	3200	302,0	230,5 mm	58,0	25	63
K- 07 25 14 72	G 1 1/4	5000	395,0	316,0 mm	70,0	25	63
K- 07 25 14 75	G 1 1/2	5000	395,0	316,0 mm	70,0	35	63

## Reserveonderdelen

<b>K-HALTERBAUSATZ STANDARD</b>	Holder
<b>K-SCHUTZKORB G</b>	Protective cage
<b>K-VERSCHLEI-SATZ</b>	Set of wearing parts
<b>K-FILTERELEMENT</b>	Filter element
<b>K-TROPFAUFSATZ POLYCARBO</b>	Drip attachment polycarbonate
<b>K-LOESBARE DOPPELNIPPEL MS</b>	Double nipples
<b>K-XV AGM MS NI</b>	Double nipples, parallel male thread, nickel-plated brass
<b>K-RD NIPPEL MS NI</b>	Reducing nipples - nickel-plated brass
<b>K-TROPFAUFSATZ METALL</b>	Drip attachment metal
<b>K-ABLASSVENTIL AUTO</b>	Fully-automatic drain valve with Adapter G 1/8
<b>K-AUTOMAT ABLASSVENTIL</b>	Automatic drain valve