

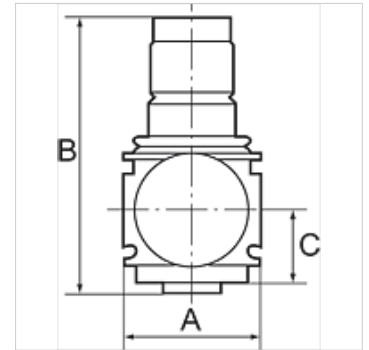
K-DRG DRVS VARIOBLOC

Pressure regulators with pressure supply at both ends

HANSA FLEX

Eigenschappen

Ingangsdruk	Max. 25 bar
Mediumtemperatuur	max. 50 °C
Omgevingstemperatuur	Max. 50 °C
Afdichtmateriaal	NBR
Veerkap	POM-brass
Behuizing	Die-cast zinc
Debietwaardemeting	At P1 = 10 bar, P2 = 6 bar and pressure drop Δp = 1 bar



Aanwijzing

Andere gegevens op aanvraag.

Beschrijving

Diaphragm pressure regulators with self-relieving design for mounting side by side. The pressure setting can be locked by pushing the knob down.

By assembling two or more controllers together, it is possible to supply several working air circuits with different output pressures via a single supply line.

Bestelaanwijzingen

Pressure regulators are also available in lockable version. Please ask for more information.

Artikel

Aanduiding	Schroefdraad	Regelbereik	Debiet (L/min)	A (mm)	B	C (mm)
K- 07 25 04 33	G 1/4	0.5 - 6 bar	1800	48,0	98,0 mm	26,0
K- 07 25 04 34	G 1/4	0.5 - 10 bar	1800	48,0	98,0 mm	26,0
K- 07 25 04 35	G 1/4	0.5 - 16 bar	1800	48,0	98,0 mm	26,0
K- 07 25 04 36	G 3/8	0.5 - 6 bar	1800	48,0	98,0 mm	26,0
K- 07 25 04 37	G 3/8	0.5 - 10 bar	1800	48,0	98,0 mm	26,0
K- 07 25 04 38	G 3/8	0.5 - 16 bar	1800	48,0	98,0 mm	26,0

Reserveonderdelen

K-VERSCHLEI-SATZ VARIOBLOC Set of wearing parts