

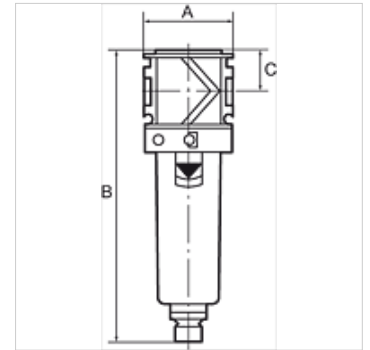
# K-FI PC-BEHAELTER VARIOBLOC

Filters with polycarbonate bowl

**HANSA FLEX**

## Eigenschappen

Ingangsdruk	Max. 16 bar (polycarbonate bowl), Max. 20 bar (metal bowl)
Mediumtemperatuur	max. 50 °C
Omgevingstemperatuur	Max. 50 °C (polycarbonate bowl), Max. 80 °C (metal bowl)
Poriënwijde in het filterelement	40 µm
Afdichtmateriaal	NBR
Behuizing	Die-cast zinc
Drain valve	Manual
Debietwaardemeting	At P1 = 6 bar and pressure drop $\Delta p = 1$ bar



## Aanwijzing

Andere gegevens op aanvraag.

## Beschrijving

Centrifugal separators with a sintered filter element. Filtration takes place in a 2-stage process comprising cyclone separation (condensate) and a PE filter element (particles). Approved series in modern industrial design, with the following key benefits: Simple handling, Convenient modular assembly thanks to innovative fasteners, Excellent flow values.

## Bestelaanwijzingen

Filters are also available with bowl guard or metal bowl.

## Artikel

Aanduiding	Schroefdraad	Debiet (L/min)	A (mm)	B	C (mm)
K- 07 25 06 25	G 1/4	1800	48,0	155,0 mm	22,0
K- 07 25 06 27	G 3/8	2000	48,0	155,0 mm	22,0
K- 07 25 06 29	G 1/2	3200	70,0	202,0 mm	26,0
K- 07 25 06 31	G 3/4	3500	70,0	202,0 mm	26,0
K- 07 25 06 33	G 1	3500	124,0	202,0 mm	26,0

## Reserveonderdelen

K-ERSATZBEHAELTER VARIOBLOC POLY	Spare tank Polycarbonat
K-FILTERELEMENT VARIOBLOC	Filter element
K-ABLASSVENTIL AUTO	Fully-automatic drain valve with Adapter G 1/8