

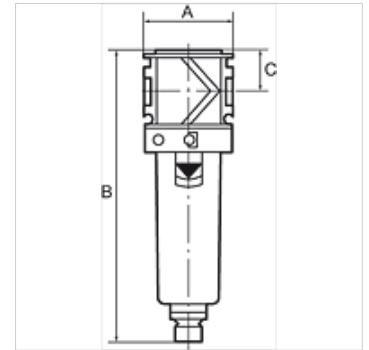
K-FI MIKRO METALLBEH SICHT VARIOBLO

Micro-filters with metal bowl, incl. sight glass

HANSA FLEX

Eigenschappen

Ingangsdruk	Max. 16 bar (polycarbonate bowl), Max. 20 bar (metal bowl)
Mediumtemperatuur	max. 50 °C
Omgevingstemperatuur	Max. 50 °C (polycarbonate bowl), Max. 80 °C (metal bowl)
Filterfijnheid	0,01 µm
Luchtkwaliteit ISO 85731	Class 1 dirt, class 1 oil
Rendement	99.999 %
Debietwaardemeting	At P1 = 7 bar and pressure drop $\Delta p = 0,1$ bar



Aanwijzing

Andere gegevens op aanvraag.

Beschrijving

Borosilicate filter for all applications where compliance with strict compressed air purity requirements is vital. As the second stage downstream of the standard filter, the micro-filter removes 99.999 % of even the finest remaining particles from water, oil and dirt with practically zero residues (filter rating: 0.01 µm).

Bestelaanwijzingen

Micro-filters are also available with bowl guard or metal bowl.

Artikel

Aanduiding	Schroefdraad	Debiet (L/min)	A (mm)	B	C (mm)
K- 07 25 10 90	G 1/4	370	48,0	155,0 mm	22,0
K- 07 25 10 92	G 3/8	420	48,0	155,0 mm	22,0
K- 07 25 10 94	G 1/2	1000	70,0	202,0 mm	26,0
K- 07 25 10 96	G 3/4	1100	70,0	202,0 mm	26,0
K- 07 25 10 98	G 1	1100	124,0	202,0 mm	26,0

Reserveonderdelen

K-ERSATZBEHAELTER VARIOBLOC POLY	Spare tank Polycarbonat
K-FILTERELEMENT VARIOBLOC	Filter element
K-ABLASSVENTIL AUTO	Fully-automatic drain valve with Adapter G 1/8