

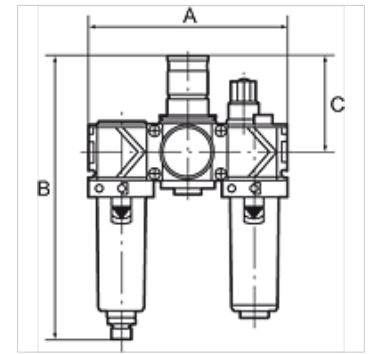
K-WTEH 3-TLG PC-BEHAEL VARIOBLOC

Service units, 3-piece with polycarbonate bowl

HANSA FLEX

Eigenschappen

| | |
|--|---|
| Ingangsdruk | Max. 16 bar (polycarbonate bowl), Max. 20 bar (metal bowl) |
| Mediumtemperatuur | max. 50 °C |
| Omgevingstemperatuur | Max. 50 °C (polycarbonate bowl), Max. 80 °C (metal bowl) |
| Poriënwijdte in het filterelement | 40 µm |
| Afdichtmateriaal | NBR |
| Veerkap | POM |
| Behuizing | Die-cast zinc |
| Membranen | NBR |
| Druppelopzet | PA |
| Drain valve | Manual |
| Debietwaardemeting | At P1 = 10 bar, P2 = 6 bar and pressure drop $\Delta p = 1$ bar |



Aanwijzing

Andere gegevens op aanvraag.

Beschrijving

Two or three-piece service units consisting of a reversible diaphragm pressure regulator, independent of inlet pressure, with self-relieving design, combined with a centrifugal separator and a proportional lubricator. Approved series in modern industrial design, with the following key benefits: Simple handling, Convenient modular assembly thanks to innovative fasteners, Excellent flow values.

Bestelaanwijzingen

Service units are also available with bowl guard or metal bowl. Service units are also available in other control ranges (0.5 - 6 bar and 0.5 - 16 bar) and in lockable version. Please ask for more information.

Extra informatie

Service units are also available with bowl guard or metal bowl. Service units are also available in other control ranges.

Artikel

| Aanduiding | Schroefdraad | Regelbereik | Debiet (L/min) | A (mm) | B | C (mm) |
|----------------|--------------|--------------|----------------|--------|----------|--------|
| K- 07 25 14 11 | G 1/4 | 0.5 - 10 bar | 1500 | 144,0 | 201,0 mm | 68,0 |
| K- 07 25 14 13 | G 3/8 | 0.5 - 10 bar | 1800 | 144,0 | 201,0 mm | 68,0 |
| K- 07 25 14 15 | G 1/2 | 0.5 - 10 bar | 3400 | 210,0 | 247,0 mm | 98,0 |
| K- 07 25 14 17 | G 3/4 | 0.5 - 10 bar | 5000 | 210,0 | 247,0 mm | 98,0 |
| K- 07 25 14 19 | G 1 | 0.5 - 10 bar | 5000 | 264,0 | 247,0 mm | 98,0 |

Reserveonderdelen

| | |
|----------------------------------|--|
| K-VERSCHLEI-SATZ VARIOBLOC | Set of wearing parts |
| K-FILTERELEMENT VARIOBLOC | Filter element |
| K-TROPFAUFSATZ VARIOBLOC | Drip attachment |
| K-ERSATZBEHAELTER VARIOBLOC POLY | Spare tank Polycarbonat |
| K-ABLASSVENTIL AUTO | Fully-automatic drain valve with Adapter G 1/8 |
| K-TROPFAUFSATZ METALL | Drip attachment metal |