

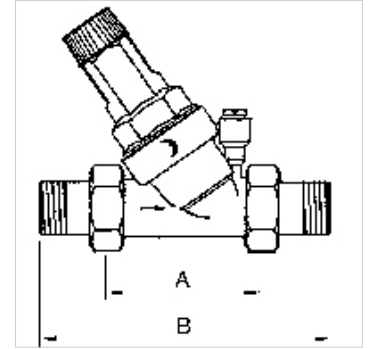
# K-DRG SAXONIA M MANO

Pressure regulators

**HANSA FLEX**

## Eigenschappen

Ingangsdruk	Max. 16 bar
Middelen	Drinking water
Bedrijfstemperatuur	Max. 30 °C
Afdichtmateriaal	NBR
Veerkap	Plastic
Behuizing	Brass
Zeefkop	Plastic, with control dial for back pressure
Overige gegevens	DVGW Zertifikat



## Aanwijzing

Andere gegevens op aanvraag.

## Beschrijving

Diaphragm pressure regulators with pressure-reduced single-seated valve and built-in strainer. These pressure regulators, which are independent of inlet pressure, protect domestic water installations against excessive supply pressure. They can also be used for commercial or industrial purposes providing their specification is adequate.

## Artikel

Aanduiding	Schroefdraad	DN	Regelbereik	Debiet kvs-waarde (m <sup>3</sup> /h)	A (mm)	B
K- 07 25 04 72	R 3/4	20	1.5 - 6 bar	3,4	90,0	158,0 mm
K- 07 25 04 73	R 1	25	1.5 - 6 bar	5,3	100,0	184,0 mm
K- 07 25 04 74	R 1 1/4	32	1.5 - 6 bar	8,6	130,0	228,0 mm

## Reserveonderdelen

K-VENTILAUUSTAUSCHSATZ	Valve replacement kit
K-ERSATZSIEBE	Replacement strainer
K-RMM U STAHL	Standard pressure gauges (sheet steel housing / connection radial on bottom)