

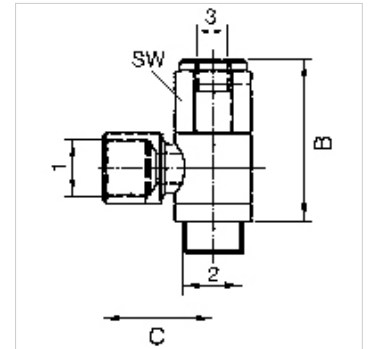
K-HS RD

Unidirectional banjo valves, pneumatic release, port 2 with female thread

HANSA FLEX

Eigenschappen

Werkdruk	0.3 - 10 bar
Regeldruk	0.5 - 2.5 bar, depending on operating pressure
Mediumtemperatuur	max. 60 °C
Inbouwpositie	Any. The ring piece must be positioned before the valve is tightened
Materiaal	messing vernikkeld
Afdichtmateriaal	Perbunan



Aanwijzing

Andere gegevens op aanvraag.

Beschrijving

For stopping and positioning the cylinder movement: If a control signal is present at port 3 (see drawing), air can flow to and from the cylinder. If no control signal is present, the cylinder exhaust air is shut off by the unidirectional valve.
The cylinder is stopped. Releasable unidirectional valves are screwed directly onto the cylinder instead of the normal pipe connections.

Artikel

Aanduiding	Port 1	Port 2	Aansluiting 3	B (mm)	C (mm)
K- 07 15 07 04	G 1/8	G 1/8	M 5	38,0	21,5
K- 07 15 07 03	G 1/4	G 1/4	G 1/8	43,0	25,4
K- 07 15 07 05	G 3/8	G 3/8	G 1/8	46,0	31,6
K- 07 15 07 02	G 1/2	G 1/2	G 1/8	52,0	32,0