

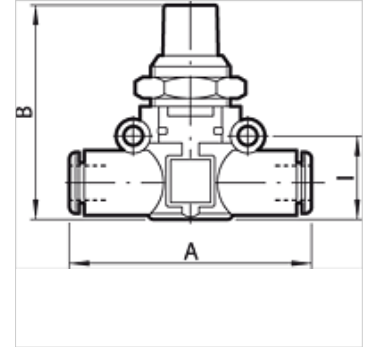
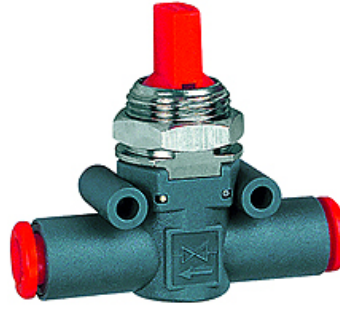
K-ABSPV SCHL SCHL

Shut-off valves, pipe - pipe

HANSA FLEX

Eigenschappen

Werkdruk	max. 10 bar
Debiet 6,3bar, p=1bar	280 NI/min (Ø 6), 470 NI/min (Ø 8)
Temperatuurgebied	-20 °C to +60 °C
Lichaam	Technopolymer
Inwendige delen	nickel-plated brass, brass, Intechnopolymer, stainless steel
Afdichtmateriaal	NBR
Montage	Wall mounting (housing with drilled holes) Bracket mounting (mounting bracket available) Panel mounting (with bracket or lock nut)
Symbol	on the housing



Aanwijzing

Andere gegevens op aanvraag.

Beschrijving

A carefully selected assortment of products for installation in pneumatic circuits. These small, highly efficient components allow all pneumatic functions to be implemented anywhere in the circuit. The series has an ultramodular design. All components can be installed in parallel, in series, in a mixed parallel / serial configuration. Available as Pipe / pipe connection with two plug connectors Thread / pipe connection, with one plug connector and one nickel-plated brass thread.

Artikel

Aanduiding	voor slang-Ø (mm)	Symbol	A (mm)	B (mm)	I (mm)
K- 07 15 04 42	6	On housing	49,0	41,0	14,6
K- 07 15 04 43	8	On housing	57,2	46,0	18,7