

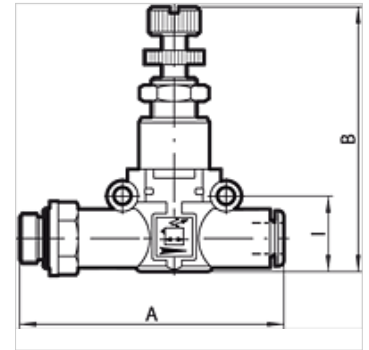
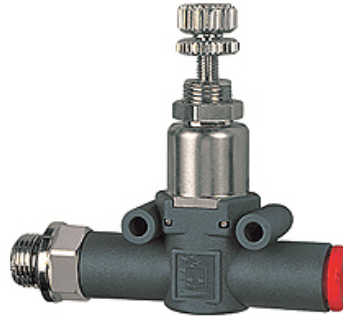
# K-DRG GEW SCHL

Pressure regulators, thread (input) - pipe (output)

**HANSA FLEX**

## Eigenschappen

|                   |  |
|-------------------|--|
| Werkdruk          | 2 - 10 bar   |
| Debiet 6,3bar     | 400 NI/min (Ø 6 and G 1/8), 600 NI/min (Ø 8 and G 1/4)   |
| Temperatuurgebied | -20 °C to +60 °C   |
| Lichaam           | Technopolymer  |
| Inwendige delen   | nickel-plated brass, brass, \ntechnopolymer, stainless steel   |
| Afdichtmateriaal  | NBR  |
| Montage           | Wall mounting (housing with drilled holes)<br>Bracket mounting (mounting bracket available)<br>Panel mounting (with bracket or lock nut) |
| Symbol            | on the housing   |



## Aanwijzing

Andere gegevens op aanvraag.

## Beschrijving

A carefully selected assortment of products for installation in pneumatic circuits. These small, highly efficient components allow all pneumatic functions to be implemented anywhere in the circuit. The series has an ultramodular design. <br>All components can be installed In parallel, In series, In a mixed parallel / serial configuration. Available as Pipe / pipe connection with two plug connectors Thread / pipe connection, with one plug connector and one nickel-plated brass thread.

## Artikel

| Aanduiding     | Schroefdraad | voor slang-Ø (mm) | Regelbereik | A (mm) | B (mm) | I (mm) |
|----------------|--------------|-------------------|-------------|--------|--------|--------|
| K- 07 25 03 14 | G 1/8        | 6                 | 1 - 8 bar   | 58,5   | 52,0   | 14,6   |
| K- 07 25 03 15 | G 1/8        | 8                 | 1 - 8 bar   | 61,5   | 52,0   | 14,6   |
| K- 07 25 03 12 | G 1/4        | 6                 | 1 - 8 bar   | 66,2   | 58,0   | 18,7   |
| K- 07 25 03 13 | G 1/4        | 8                 | 1 - 8 bar   | 70,6   | 58,0   | 18,7   |
| K- 07 25 03 16 | G 3/8        | 8                 | 1 - 8 bar   | 72,2   | 58,0   | 18,7   |