

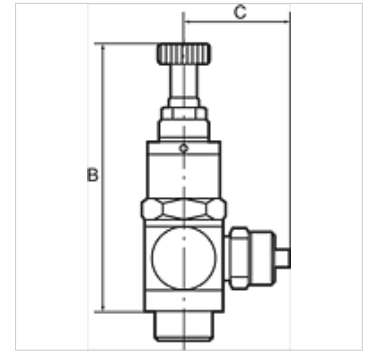
K-KDR SCHNVERSCHR

Mini pressure regulators, discharge port on thread, quick-lock screw fitting

HANSA FLEX

Eigenschappen

Regelbereik	0 - 8 bar
Ingangsdruk	Max. 10 bar
Temperatuurgebied	0 °C to +70 °C
Holle schroef, zwenkarm, stelschroef	Nickel-plated brass
Inwendige delen	Brass with a bare metal surface
Lipafdichting O-ring	NBR
Afdichtingen (onverliesbare)	Polyamide (glass fibre-reinforced)



Aanwijzing

Andere gegevens op aanvraag.

Beschrijving

Piston pressure regulator with self-relieving design, hollow bolt and pivoting ring piece. The regulator is screwed directly into the consumer (e.g. cylinder, handling equipment, etc.). The working pressure can thus be adapted to the specific application.

Artikel

Aanduiding	C (mm)	voor slang	Schroefdraad	SW	B (mm)
K- 07 25 08 33	16,0	G 1/8 IG	G 1/8	15 mm	56,0
K- 07 25 08 34	25,0	5 mm / 3 mm	G 1/8	15 mm	56,0
K- 07 25 08 35	25,0	6 mm / 4 mm	G 1/8	15 mm	56,0
K- 07 25 08 36	25,0	8 mm / 6 mm	G 1/8	15 mm	56,0
K- 07 25 08 31	26,5	6 mm / 4 mm	G 1/4	17 mm	63,0
K- 07 25 08 32	27,5	8 mm / 6 mm	G 1/4	17 mm	63,0
K- 07 25 08 30	28,5	10 mm / 8 mm	G 1/4	17 mm	63,0