

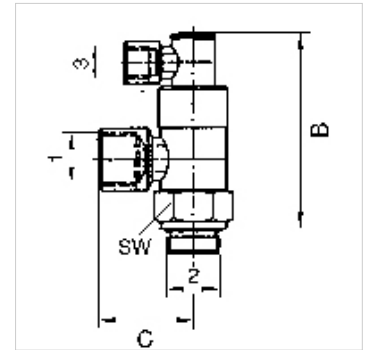
# K-STOPPVENTILE STECK

Stop valves, ports 2 and 3 with plug connection

**HANSA FLEX**

## Eigenschappen

Werkdruk	Max. 10 bar
Regeldruk	1 - 5 bar, depending on operating pressure
Mediumtemperatuur	max. 70 °C
Inbouwpositie	Any. Ring pieces can still be rotated 360° after the valve has been tightened
Afdichtmateriaal	Perbunan



## Aanwijzing

Andere gegevens op aanvraag.

## Beschrijving

For high-speed positioning and stop functions as well as emergency switching (e.g. emergency stop). If a control signal is present at port 3, air can flow to and from the cylinder. If no control signal is present, the air flow to and from the cylinder is shut off, causing the cylinder to stop in the required position. Stop valves are screwed directly onto the cylinder instead of the normal pipe connections.

## Artikel

Aanduiding	Port 1	Port 2	Aansluiting 3	Materiaal	B (mm)	C (mm)
K- 07 15 20 50	G 1/8	6 mm	4 mm	Nickel-plated brass	52,0	25,0
K- 07 15 20 49	G 1/4	6 mm	4 mm	Nickel-plated brass	58,0	28,0
K- 07 15 20 51	G 3/8	8 mm	4 mm	Nickel-plated brass	63,0	32,0
K- 07 15 20 48	G 1/2	12 mm	4 mm	Nickel-plated brass	72,0	41,0