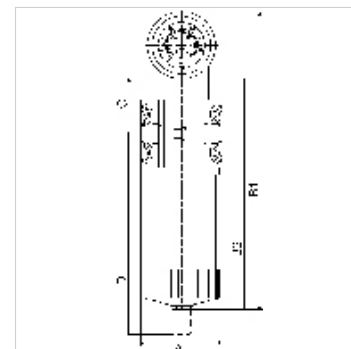


K-FI AK KOH O DIFFERENZ MANO

Activated carbon filters without differential pressure gauge

Eigenschappen

| | |
|---------------------------------------|--|
| Ingangsdruk | Min. 4 bar, Max. 16 bar |
| Weergavebereik differentiaaldrukmeter | 0 - 2 bar |
| Behuizing, filterhuis | Aluminium |
| Omgevingstemperatuur | +5 °C to +60 °C |
| Filterelement | Activated carbon |
| Restoliegehalte | 0.005 mg/m ³ |
| Debietwaardemeting | At P1 = 6 bar and pressure drop $\Delta p = 0.5\%$ |



Aanwijzing

Andere gegevens op aanvraag.

Beschrijving

Suitable for all applications where the standard centrifugal separators do not afford the desired efficiency. The pre-filters and micro-filters are equipped with an automatic drain valve. All devices can be supplied with or without a differential pressure gauge. The differential pressure gauge indicates the degree of contamination of the filter element as a function of the pressure drop.

Artikel

| Aanduiding | Schroefdraad | Debiet (L/min) | A (mm) | B2 (mm) | C (mm) | D (mm) |
|----------------|--------------|-------------------|-----------|------------|-----------|-----------|
| K- 07 25 13 26 | G 1/4 | 500 | 82,5 | 248,0 | 57,0 | 263,0 |
| K- 07 25 13 27 | G 3/8 | 500 | 82,5 | 248,0 | 57,0 | 263,0 |
| K- 07 25 13 28 | G 1/2 | 500 | 82,5 | 248,0 | 57,0 | 263,0 |
| K- 07 25 13 29 | G 3/4 | 1000 | 82,5 | 318,0 | 57,0 | 403,0 |
| K- 07 25 13 30 | G 1 | 1500 | 118,0 | 333,0 | 72,0 | 368,0 |
| K- 07 25 13 31 | G 1 1/4 | 2650 | 118,0 | 433,0 | 72,0 | 568,0 |
| K- 07 25 13 32 | G 1 1/2 | 4150 | 118,0 | 533,0 | 72,0 | 768,0 |
| K- 07 25 13 33 | G 2 | 6650 | 118,0 | 723,0 | 72,0 | 1148,0 |

Reserveonderdelen

| | |
|---------------------------|-----------------------|
| K-FILTERELEMENT SONDER | Filter element |
| K-VERBINDUNGELEMENTE SOND | Connecting sets |
| K-HALTERBAUSATZ | Holder |
| K-AUTOMAT ABLASSVENTIL | Automatic drain valve |