

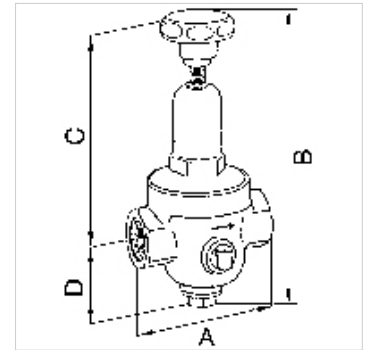
K-DRG DRV 200 STANDARD

DRV 200 pressure regulators, standard type

HANSA FLEX

Eigenschappen

Ingangsdruk	Max. 25 bar (Series 200 and 300 Series), Max. 40 bar (400 Series)
Temperatuurgebied	Max. 75 °C
Reductieverhouding	Max. 10:1 (200 Series), Max. 20:1 (300 Series), Max. 6:1 (400 Series)
Afdichtmateriaal	NBR
Veerkap	Pressed brass up to DN 25, Grey cast iron from DN 32
Behuizing	Red brass 2.1096.01



Aanwijzing

Andere gegevens op aanvraag.

Beschrijving

Diaphragm pressure regulators with non-self-relieving design and non-pressure-reduced single-seated valve. Very precise adjustment. Good response characteristic because of only a few moving parts which hence minimal friction. Ideal for compressed air, nitrogen and other neutral, non-flammable gases, but only suitable for liquids with comparatively low flow rates.

Bestelaanwijzingen

Andere uitvoeringen op aanvraag.

Extra informatie

Overige uitvoeringen op aanvraag

Artikel

Aanduiding	Schroefdraad	Regelbereik	Debiet kvs-waarde (m ³ /h)	A (mm)	B	C (mm)	D (mm)
K- 07 25 04 86	G 1/4	1.5 - 8 bar	0,5	70,0	167,0 mm	120,0	47,0
K- 07 25 04 87	G 3/8	1.5 - 8 bar	0,6	70,0	168,0 mm	121,0	47,0
K- 07 25 04 88	G 1/2	1.5 - 8 bar	1,2	85,0	188,5 mm	142,0	46,5
K- 07 25 04 89	G 3/4	1.5 - 8 bar	1,3	85,0	189,5 mm	143,0	46,5
K- 07 25 04 90	G 1	1.5 - 8 bar	1,6	95,0	242,0 mm	186,0	56,0
K- 07 25 04 91	G 1 1/4	1.5 - 8 bar	4,2	104,0	323,0 mm	262,0	61,0
K- 07 25 04 92	G 1 1/2	1.5 - 8 bar	4,5	108,0	323,0 mm	262,0	61,0
K- 07 25 04 93	G 2	1.5 - 8 bar	7,2	146,5	376,0 mm	306,0	70,0

Reserveonderdelen

K-VERSCHLEI-SATZ Set of wearing parts