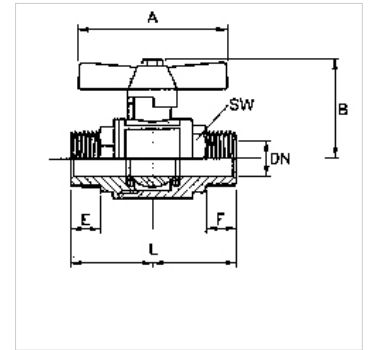
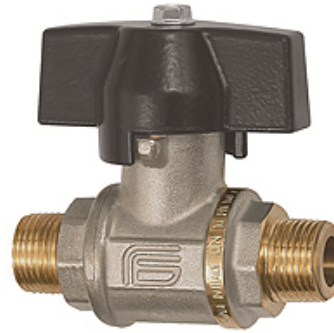


# K-BKR DREHGRIF AG AG

Ball valves with wing lever, male/male thread

## Eigenschappen

|                                  |  |
|----------------------------------|--|
| <b>Toepassingsgebied</b>         | Compressed air, water, non-toxic and neutral gases, heating oil (EL),(S), lubricants, dieseloil, water beased coatings |
| <b>Bedrijfstemperatuur</b>       | -20 °C to +130 °C  |
| <b>Schroefdraad beschrijving</b> | G thread acc. to DIN EN ISO 228-1, R thread acc. to DIN EN 10226 (ISO 7-1)   |
| <b>Behuizing</b>                 | Nickel-plated brass  |
| <b>Hendel</b>                    | Alu, painted black   |
| <b>Kogel</b>                     | hardchrome-plated brass  |
| <b>Kogelafsluiting</b>           | PTFE   |
| <b>Stangafdichting</b>           | PTFE   |



## Aanwijzing

Andere gegevens op aanvraag.

## Artikel

| Aanduiding     | DN | Schroefdraad | PN (bar) | A (mm) | B (mm) | E (mm) | F (mm) | L (mm) | SW (mm) |
|----------------|----|--------------|----------|--------|--------|--------|--------|--------|---------|
| K- 07 30 20 22 | 8  | R 1/4        | 100      | 45,0   | 43,0   | 11,0   | 11,0   | 54,5   | 18      |
| K- 07 30 20 23 | 10 | R 3/8        | 100      | 45,0   | 51,0   | 11,2   | 11,2   | 66,0   | 21      |
| K- 07 30 20 24 | 15 | R 1/2        | 100      | 55,0   | 54,5   | 14,9   | 14,9   | 82,0   | 27      |
| K- 07 30 20 25 | 20 | R 3/4        | 100      | 55,0   | 66,0   | 16,1   | 16,1   | 94,0   | 33      |
| K- 07 30 20 26 | 25 | R 1          | 100      | 70,0   | 70,0   | 19,0   | 19,0   | 107,0  | 40      |