

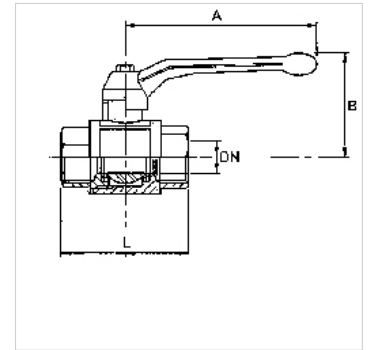
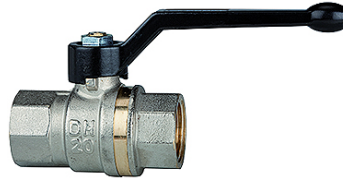
K-BKR LANG IG IG

Ball valves, long-threaded type, female/female thread

HANSA FLEX

Eigenschappen

Toepassingsgebied	Compressed air, water, non-toxic and non-corrosive gases, heating systems, agriculture
Werkdruk	Max. 40 bar
Bedrijfstemperatuur	-15 °C to +90 °C
Schroefdraad beschrijving	Thread acc. to ISO 7-1
Behuizing	Nickel-plated brass
Hendel	Aluminium, painted black
Kogel	Chrome-plated brass
Kogelafsluiting	PTFE
Stangafdichting	NBR / EPDM



Aanwijzing

G thread acc. to DIN EN ISO 228-1, with ISO flange plate (acc. to ISO 5211)

Andere gegevens op aanvraag.

Bestelaanwijzingen

For use on devices that have to be vented whenever they are turned off, either because of safety regulations or for technical reasons. The pneumatic devices are disconnected from the system and simultaneously vented each time they are shut off.

Extra informatie

The pressure values refer to a maximum operating temperature of 40 °C. Lower maximum pressure apply at higher temperatures. See data sheet.

Artikel

Aanduiding	DN	Schroefdraad	A (mm)	B (mm)	L (mm)
K- 07 30 21 45	8	Rp/Rp 1/4	85,0	42,0	49,0
K- 07 30 21 46	10	Rp/Rp 3/8	85,0	42,0	50,0
K- 07 30 21 47	15	Rp/Rp 1/2	85,0	46,0	61,0
K- 07 30 21 48	20	Rp/Rp 3/4	105,0	53,0	70,0
K- 07 30 21 49	25	Rp/Rp 1	105,0	57,0	84,0
K- 07 30 21 50	32	Rp/Rp 1 1/4	130,0	70,0	97,0
K- 07 30 21 51	40	Rp/Rp 1 1/2	130,0	76,0	108,0
K- 07 30 21 52	50	Rp/Rp 2	165,0	92,0	130,0