

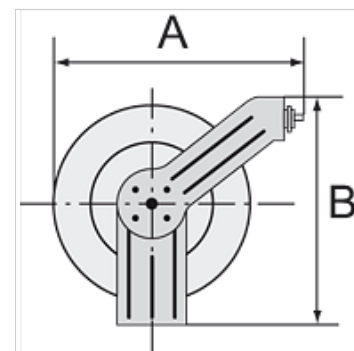
K-SCHL-AUFROLLER SCHWEISS

Hose reel, welding type

HANSA FLEX

Eigenschappen

Slangen	Welding hose for oxygen and acetylene, red and blue, made from synthetic rubber.
Werkdruk	max. 10 bar
Bevestiging	Wall, floor or ceiling
Ingang	Oxygen G 1/4 male, right-hand thread with 60° inside cone, Acetylene G 3/8 male, left-hand thread with 60° inside cone



Aanwijzing

Andere gegevens op aanvraag.

Beschrijving

Heavy-duty steel design for industrial applications. Blue, powder-coated housing. Special reel guide prevents excessive wear on the hose. An automatic latching mechanism allows the hose to be engaged at any length. Enclosed spring. Precise locking device for continuous feeding or latching mechanism.

Artikel

Aanduiding	Slangmaat	Hoogte (mm)	Diameter (mm)	Lengte slang (m)
K- 07 10 06 28	Oxygen: 16.5 mm x 6 mm, Acetylene: 17 mm x 10 mm	360	320	15