

# K-SCHL-AUFROLLER LU WA S

Hose reels for compressed air and water, heavy-duty type

**HANSA FLEX**

## Eigenschappen

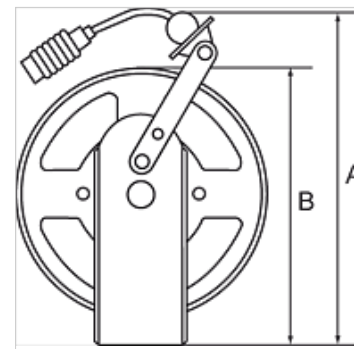
**Materiaal slang** Polyurethane

**Werkdruk** max. 10 bar

**Bedrijfstemperatuur** -10 °C to +40 °C

**Bevestiging** Wall, floor or ceiling

**Ingang** Hose stem 8 mm



## Aanwijzing

Andere gegevens op aanvraag.

## Beschrijving

Heavy-duty steel design for industrial applications. Blue, powder-coated housing. An automatic latching mechanism allows the hose to be engaged at any length. Enclosed spring. Precise locking device for continuous feeding or latching mechanism. Reel guide prevents excessive wear on the hose.

## Artikel

Aanduiding	Slangmaat	A (mm)	B (mm)	Lengte slang (m)
K- 07 10 06 24	10 mm x 6,5 mm	420,0	353,0	10
K- 07 10 06 25	10 mm x 6,5 mm	420,0	353,0	20
K- 07 10 06 26	12 mm x 8 mm	420,0	353,0	15
K- 07 10 06 27	16 mm x 11 mm	420,0	353,0	15