

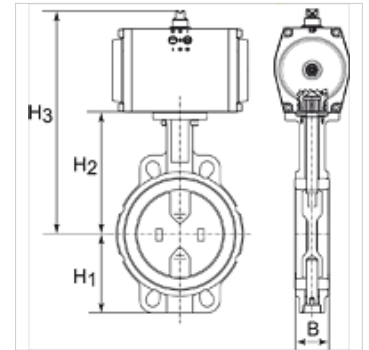
K-ZFL ABSP-KLAPPEN DOPPEL

Butterfly valves, with double-acting actuator, min. pilot pressure 5 bar

HANSA FLEX

Eigenschappen

Constructie	Pneumatic actuators, in double- or single acting version
Werkdruk	Max. 16 bar
Bedrijfstemperatuur	-15 °C to +120 °C
Middelen	Water / steam, salt water, salt water, ester, ketone, alkali, caustic soda, sodium hydroxide. Not recommended for hydrocarbons
Regeldruk	5.5 bar
Ventieladapter	Supplied as standard, operated by a 3/2- or 5/2-way valve
Draaihoek	90 °
Aandrijving	aluminium eloxed
Aandrijvingsafdichting	NBR
Behuizing	Grey cast iron GG25 epoxy resin coated, RAL 5015
Afdichting	EPDM
As	SS416
Asafdichting	EPDM
Aansturing	



Aanwijzing

Andere gegevens op aanvraag.

Artikel

Aanduiding	Schijf	DN	B (mm)	H1 (mm)	H2 (mm)	H3 (mm)	L (mm)
K- 07 30 03 28	Stainless Steel CF8M/1.4404	40	38,0	68,0	108,0	212,0	94,0
K- 07 30 03 29	Stainless Steel CF8M/1.4404	50	47,0	71,0	143,0	247,0	100,0
K- 07 30 03 30	Stainless Steel CF8M/1.4404	65	49,0	78,0	155,0	259,0	115,0
K- 07 30 03 31	Stainless Steel CF8M/1.4404	80	47,0	89,0	162,0	280,0	127,0
K- 07 30 03 32	Stainless Steel CF8M/1.4404	100	56,0	102,0	178,0	308,0	163,0
K- 07 30 03 33	Stainless Steel CF8M/1.4404	125	59,0	123,0	191,0	321,0	190,0
K- 07 30 03 35	Stainless Steel CF8M/1.4404	150	59,0	138,0	205,0	352,0	216,0