

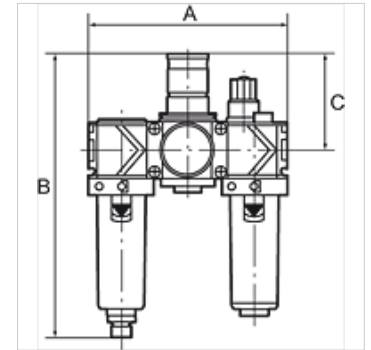
K-WTEH 3-TLG PC SCHU VARIOBLOC

Service units, 3-piece with polycarbonate bowl and bowl guard

HANSA FLEX

Eigenschappen

Ingangsdruk	Max. 16 bar (polycarbonate bowl), Max. 20 bar (metal bowl)
Mediumtemperatuur	max. 50 °C
Omgevingstemperatuur	Max. 50 °C (polycarbonate bowl), Max. 80 °C (metal bowl)
Poriënwijde in het filterelement	40 µm
Afdichtmateriaal	NBR
Veerkap	POM
Behuizing	Die-cast zinc
Membranen	NBR
Druppelopzet	PA
Drain valve	Manual
Debietwaardemeting	At P1 = 10 bar, P2 = 6 bar and pressure drop $\Delta p = 1$ bar



Aanwijzing

Andere gegevens op aanvraag.

Beschrijving

Two or three-piece service units consisting of a reversible diaphragm pressure regulator, independent of inlet pressure, with self-relieving design, combined with a centrifugal separator and a proportional lubricator. Approved series in modern industrial design, with the following key benefits: Simple handling, Convenient modular assembly thanks to innovative fasteners, Excellent flow values.

Bestelaanwijzingen

Service units are also available with bowl guard or metal bowl. Service units are also available in other control ranges (0.5 - 6 bar and 0.5 - 16 bar) and in lockable version. Please ask for more information.

Extra informatie

Service units are also available with bowl guard or metal bowl. Service units are also available in other control ranges.

Artikel

Aanduiding	Schroefdraad	Regelbereik	Debiet (L/min)	A (mm)	B	C (mm)
K- 07 25 22 86	G 1/4	0.5 - 10 bar	1500	144,0	201,0 mm	68,0
K- 07 25 22 85	G 3/8	0.5 - 10 bar	1800	144,0	201,0 mm	68,0
K- 07 25 22 84	G 1/2	0.5 - 10 bar	3400	210,0	247,0 mm	98,0
K- 07 25 22 83	G 3/4	0.5 - 10 bar	5000	210,0	247,0 mm	98,0
K- 07 25 22 82	G 1	0.5 - 10 bar	5000	264,0	247,0 mm	98,0