

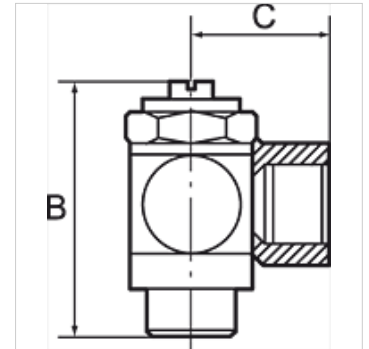
K-DV GEW B SCHLITZ

Bidirectional flow control valves, air restriction at both ends (»B«), screw connection

HANSA FLEX

Eigenschappen

Werkdruk	max. 10 bar
Temperatuurgebied	0 °C to +70 °C
Holle schroef, zwenkarm, stelschroef	Nickel-plated brass
Inwendige delen	Brass with a bare metal surface
Lipafdichting O-ring	NBR
Afdichtingen (onverliesbare)	Polyamide (glass fibre-reinforced)



Aanwijzing

Andere gegevens op aanvraag.

Beschrijving

For regulation of a cylinder piston speed at both ends and control of flow rates. Designed as a banjo-type valve with a hollow bolt and ring piece for mounting directly. Compact type of construction, also ideal where space is restricted.

Artikel

Aanduiding	Aansluiting	C (mm)	Schroefdraad	SW	B (mm)
K- 07 15 05 53	M 5 female thread	11,5	M 5	8 mm	24,5
K- 07 15 05 58	G 1/8 female thread	16,0	G 1/8	14 mm	32,0
K- 07 15 05 54	G 1/4 female thread	22,0	G 1/4	17 mm	40,0
K- 07 15 25 26	G 3/8 female thread	26,0	G 3/8	20 mm	50,0
K- 07 15 25 25	G 1/2 female thread	32,0	G 1/2	26 mm	61,0