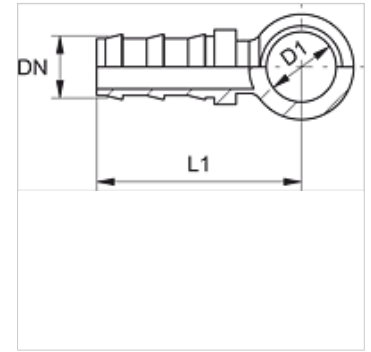


TR B

Inslagnippel, RGN

Eigenschappen

| | |
|----------------------|------------------------------|
| Aansluiting 1 | Ringoog metrisch |
| Afdichtingsvorm 1 | Afdichting door koperen ring |
| Afkorting | RGN |
| Norm | DIN 7642 |
| Materiaal | Staal |
| Oppervlakbescherming | Galvanisch gecoat |



Artikel

| Aanduiding | DN | Size | Duim | D1 (mm) | L1 (mm) |
|------------|----|------|-------|------------|------------|
| TR 04 B 02 | 5 | 3 | 3/16" | 8 | 24 |
| TR 04 B | 5 | 3 | 3/16" | 10 | 26 |
| TR 06 B 04 | 6 | 4 | 1/4" | 10 | 26 |
| TR 06 B | 6 | 4 | 1/4" | 12 | 28 |
| TR 06 B 08 | 6 | 4 | 1/4" | 14 | 28 |
| TR 06 B 10 | 6 | 4 | 1/4" | 16 | 30 |
| TR 08 B 06 | 8 | 5 | 5/16" | 12 | 34 |
| TR 08 B | 8 | 5 | 5/16" | 14 | 34 |
| TR 08 B 10 | 8 | 5 | 5/16" | 16 | 36 |
| TR 10 B 08 | 10 | 6 | 3/8" | 14 | 34 |
| TR 10 B | 10 | 6 | 3/8" | 16 | 36 |