

# K-2-BK AG 20-63 INFI

2/2-way ball valve Ø 20 mm - Ø 63 mm with external thread

**HANSA FLEX**

## Eigenschappen

**Middelen** Compressed air, vacuum, inert gases

**Werkdruk** -0,99 bar - 15 bar

**Temperatuurgebied** -20 °C to +80 °C

**Afdichting** NBR

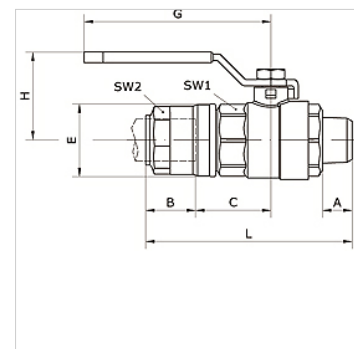
**Behuizing** Nickel-plated brass

**Klemring** Stainless steel 1.4301

**Moer** Nickel-plated brass

**O-ring** NBR

**Borgring** Technopolymer



## Artikel

Aanduiding	Buis-buiten-Ø	Aansluiting	A (mm)	B (mm)	C (mm)	DN	E (mm)	G (mm)	H (mm)	L (mm)	SW1 (mm)	SW2 (mm)
K- 07 40 54 42	20 mm	R 1/2	18,0	31,5	29,3	15	34,5	88	42,0	100,8	32	30
K- 07 40 54 43	25 mm	R 3/4	18,0	38,5	30,8	20	42,5	106	47,5	119,3	41	35