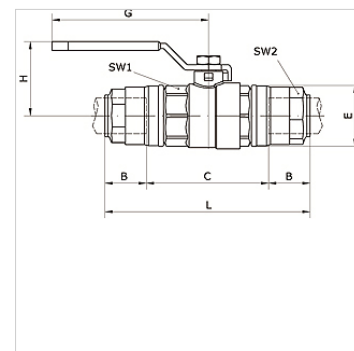


K-2-BK V DURCHG INFI

2/2-way ball valve Ø 20 mm - Ø 63 mm full bore

Eigenschappen

Middelen	Compressed air, vacuum, inert gases
Werkdruk	-0,99 bar - 15 bar
Temperatuurgebied	-20 °C to +80 °C
Afdichting	NBR
Behuizing	Nickel-plated brass
Klemring	Stainless steel 1.4301
Moer	Aluminium
O-ring	NBR
Borgring	Technopolymer



Artikel

Aanduiding	Buis-buiten-Ø	B (mm)	C (mm)	DN	E (mm)	G (mm)	H (mm)	L (mm)	SW1 (mm)	SW2 (mm)
K- 07 40 55 05	63 mm	57,5	38,0	59	94,0	240	111,5	232,0	89	75