

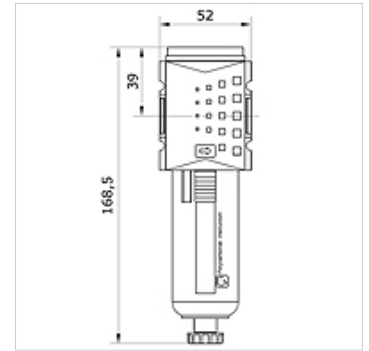
K-FI FEIN HANSA PRO

Compressed air fine filter, with manual/semi-automatic condensate drain, HANSA PRO

HANSA FLEX

Eigenschappen

Mediumtemperatuur	-10 °C to +50 °C
Omgevingstemperatuur	-10 °C to +50 °C
Middelen	Perslucht
Constructie	fiber filter
Bevestigingsmethode	Line mounting, mounting kit or wall mounting
Inbouwpositie	Vertical, drain down
Filterfijnheid	0,01 µm
Filterrendement	99.999 %
Nominaal debiet G 1/2	750 l/min (P1 = 6 bar/Delta P = 0,1 bar)
Nominaal debiet G 3/8	750 l/min (P1 = 6 bar/Delta P = 0,1 bar)
Pe max	16 bar
Filterelement	Borsilicate-Al
Behuizing	PA66
Restoliegehalte	0,01 mg/m3



Artikel

Aanduiding	Aansluiting	Container	Maat	Condensaatafvoer
K- 07 25 21 28	G 3/8 i	polycarbonate with protective cage	2	manual / semi-automatic
K- 07 25 21 29	G 1/2 i	polycarbonate with protective cage	2	manual / semi-automatic
K- 07 25 21 30	G 3/8 i	zinc with visual display	2	manual / semi-automatic
K- 07 25 21 31	G 1/2 i	zinc with visual display	2	manual / semi-automatic