

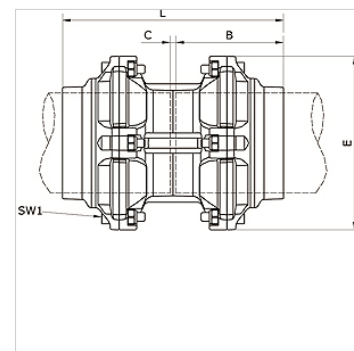
K-G-STECK VB 80-100 INFI

Straight push-in connector Ø 80 mm/Ø 110 mm

HANSA FLEX

Eigenschappen

Middelen	Compressed air, vacuum, inert gases
Werkdruk	-0,99 bar - 15 bar
Temperatuurgebied	-20 °C to +80 °C
Geleiding	Technopolymer
Behuizing	Aluminium, treated surface
Inbusschroef	Galvanised steel
Klemring	Stainless steel 1.4301
Moer	Aluminium, surface treated
O-ring	NBR
Zelfborgende moer	Galvanised steel
Borgring	Technopolymer



Artikel

Aanduiding	Buis-buiten-Ø	B (mm)	C (mm)	E (mm)	L (mm)	SW1 (mm)
K- 07 40 55 14	80 - 80 mm	91,0	3,5	145,0	186,0	6
K- 07 40 54 65	110 - 110 mm	125,5	4,0	200,0	255,0	8